

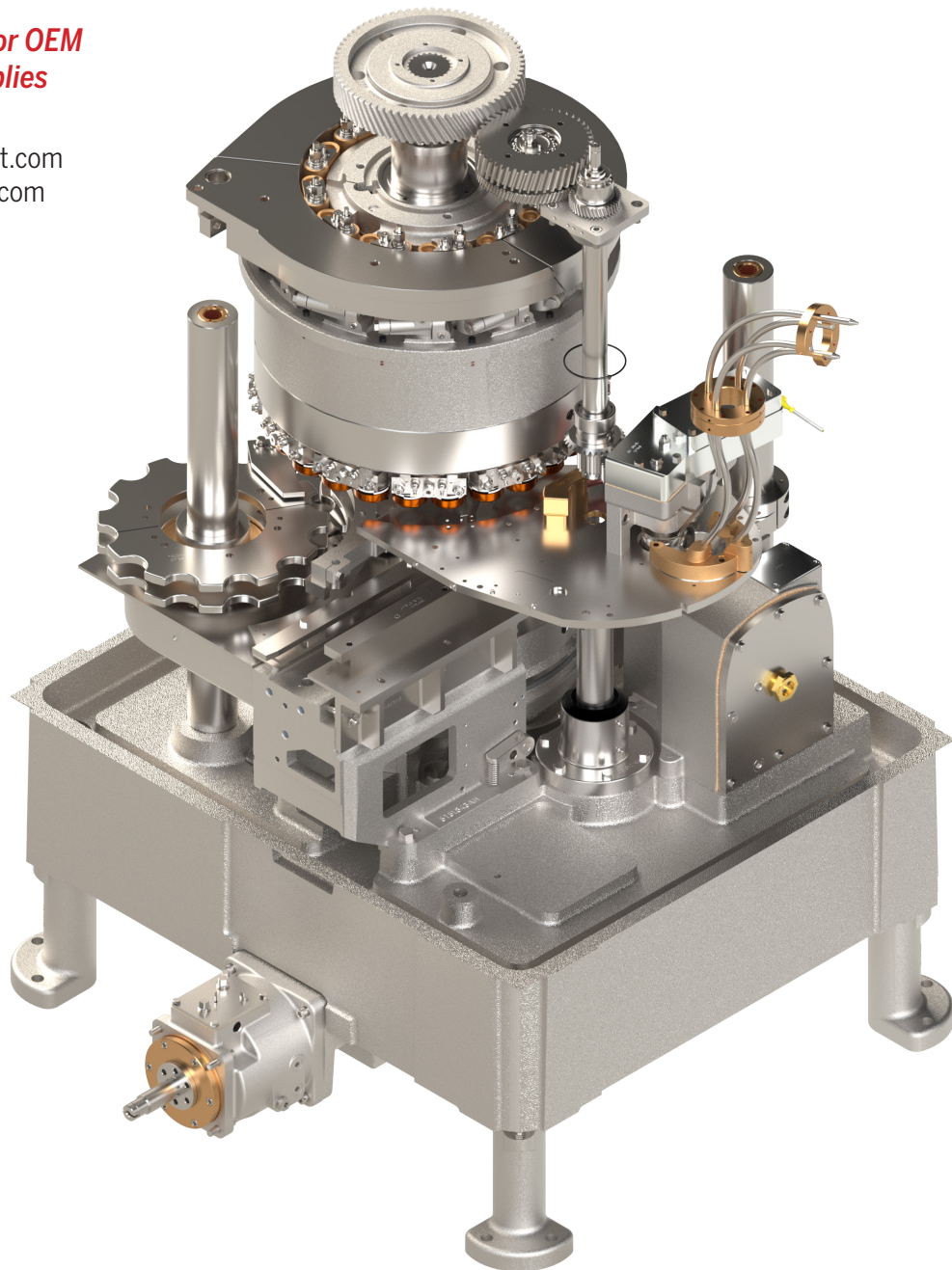
121L Seamer

REFERENCE GUIDE

***MRO strategies for OEM
parts and assemblies***

781-440-9993
sales@americanholt.com
www.americanholt.com

*FOR INTERNAL USE ONLY.
SUBJECT TO REVISIONS.*





American Holt is a full-service engineering firm focused on the reverse engineering of high-usage machinery components. Founded in 1995, American Holt manufactures aftermarket replacement parts for machines used by the beverage, food processing, packaging, and paper converting industries. We provide engineered savings to customers around the world.

CONTACT:

American Holt
203 Carnegie Row
Norwood, MA 02062
781-440-9993
sales@americanholt.com

HOURS:

Monday-Friday
8:00am to 5:00pm EST

SALES:

Tom St. Lawrence, President
Charlene Butts, Sales Manager

NOTICE:

All parts offered by American Holt are manufactured by or for American Holt and not by or for the Original Equipment Manufacturer. Part numbers shown that are those of the Original Equipment Manufacturer, if any, are used for reference purposes only. American Holt is an independent supplier of quality replacement parts having no affiliation with any Original Equipment Manufacturer. All prices are subject to change without notice.

Copyright ©2025 American Holt Corp. All rights reserved.

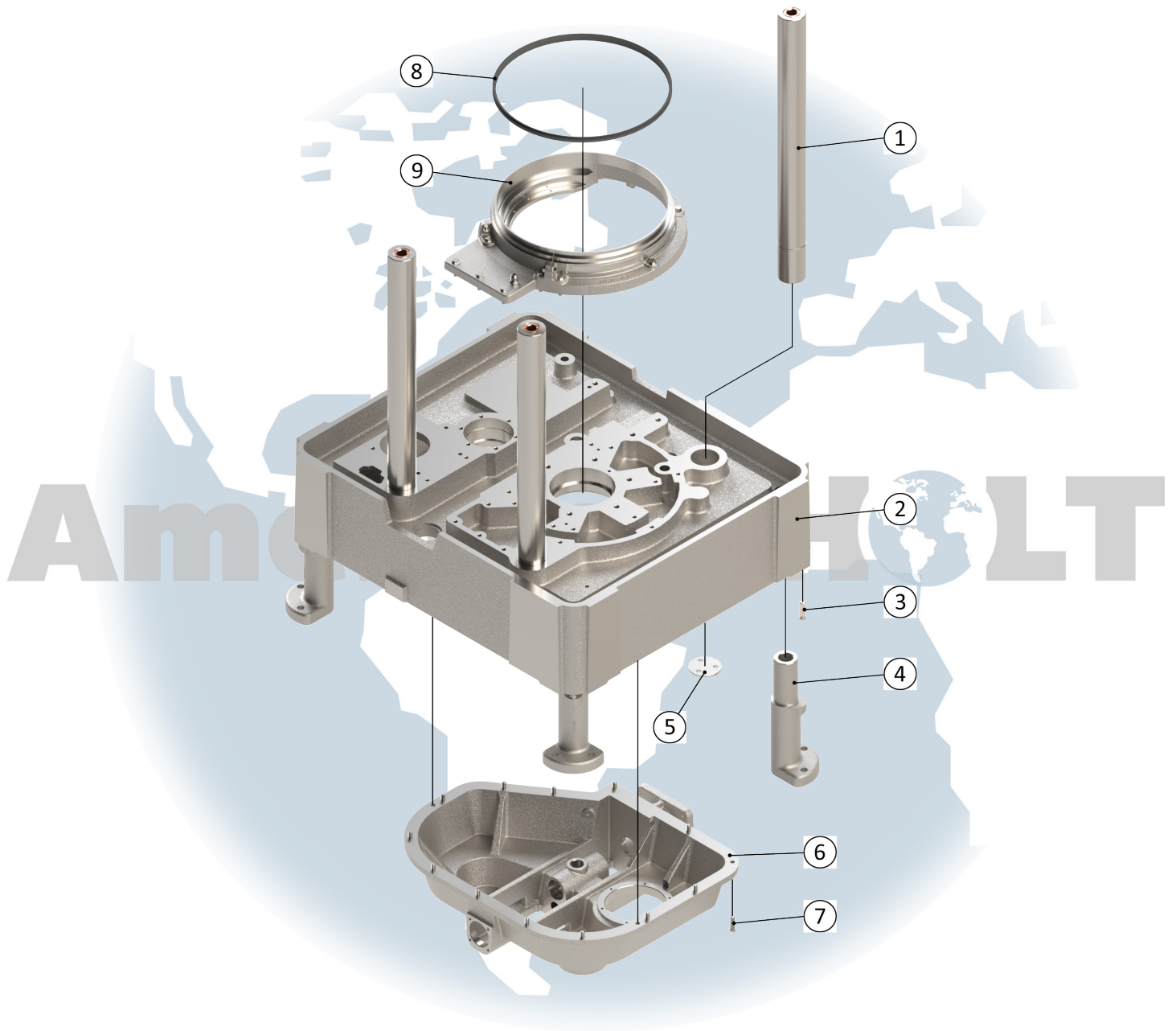
Table of Contents **121L Seamer**

BASE	2
CAN FEED TABLE	4
CAN FEED & DISCHARGE TABLE UNIT	6
BASE DISCHARGE IDLER GEAR	8
BASE DISCHARGE INTERMEDIATE	10
FEED TURRET GEAR	12
BASE FEED TURRET GEAR & SHAFT ASSEMBLY - 121LBASEGEARSHAFTASSYAH	14
CAN FEED & DISCHARGE (PART 1) - DRIVECASE-3L843AH-121L-ASSYAH	16
CAN FEED & DISCHARGE (PART 2) - DRIVECASE-3L843AH-121L-ASSYAH	18
LOWER TURRET	20
BASE INTERMEDIATE GEAR - 121LB001.02AH-G12 - LOW SPEED 1200 CANS/MIN	22
BASE INTERMEDIATE GEAR - 121LB001.02AH-G16 - HIGH SPEED 1600 CANS/MIN	24
FILLER DRIVE WITH ELECTRIC CLUTCH & IN-MOTION TIMER BELT DRIVE	26
FILLER DRIVE & IN-MOTION TIMER BELT DRIVE	28
ELECTRIC CLUTCH - 121L-ELECTRIC-CLUTCHAH	30
FILLER DRIVE REBUILD KIT - 121L-FILLERDRIVE-RKAH	32
IN-MOTION TIMER REBUILD KIT - 121L-IN-MOTION-TIMER-RKAH	34
LOWER CHUCK - BOTTOM - 11L800AH	36
LOWER CHUCK - TOP - 13L800AH	38
DISCHARGE RAIL SHAFT & SWITCH - 7L846AH-ASSY	40
UPPER TURRET	42
UPPER TURRET HOUSING	44
SEAMING CAM - 23-24L820-ASSYAH	46
SEAMING SPINDLE WITH KNOCKOUT ROD	48
SEAMING SPINDLE SUB-ASSEMBLY - 18L800AH	50
FACE SEAL & ROTOR - 8L800AH	52
FACE SEAL & ROTOR - 9L800AH	54
SEAMING LEVER	56
SEAMING ROLL KIT – 13ROLLAKIT8AH	58
SEAMING LEVER - 1L200AH	60
SEPARATOR DRIVE	62
MAIN DRIVE & MOTOR BASE	64
SEPARATOR BRACKET	66
PNEUMATIC CONVERSION KIT - SOLCASE-PNU-ASSY-120-121L-202AH OR SOLCASE-PNU-ASSY-120-121L-206AH	68
ELECTRICAL CONVERSION KIT - SOLCASE-ELE-ASSY-120-121L-206AH	70
CHANGE PARTS - 200 LID X 202 CAN	72
CHANGE PARTS - 202 LID X 204 CAN	74
CHANGE PARTS - 202 LID X 211 CAN	76
CHANGE PARTS - 206 LID X 300 CAN	78
CHANGE PARTS - 209 LID X 300 CAN	80
CHANGE PARTS - 211 LID	82
CHANGE PARTS - 300 LID - FOOD	84
DISCHARGE CONVEYOR RAIL	86
ACCESSORIES	88
TOOLS	89
CHAINS & SPROCKETS	90
LIFTERS, SPINDLES AND CAMS	91

121L Seamer

AFTER MARKET PARTS FOR:

BASE



NOTICE: All parts offered by American Holt are manufactured by or for American Holt and not by or for the Original Equipment Manufacturer. Part numbers shown that are those of the Original Equipment Manufacturer, if any, are used for reference purposes only. American Holt is an independent supplier of quality replacement parts having no affiliation with any Original Equipment Manufacturer. All prices are subject to change without notice. Copyright ©2022 American Holt Corp. All rights reserved.

IN-STOCK AND READY TO SHIP.

BASE

ITEM NO.	PART NO.	DESCRIPTION	QTY
1	*1L844AH	Column (INCLUDES HARDWARE)	3
1.1	*54L826AH	Thread insert	3
1.2	6L817AH	Snap Ring	3
2	1038L843AH	121L Base (COMING SOON)	1
3	1L826AH	Base Adjusting Screw	4
4	2L843AH	Base Leg	4
5	5L817AH	Column Retainer	3
6	475L843AH	121L In-Motion Timer Base Pan	REF
7	HHBOLT-SS-0.50-13X1.75	Screw	13
8	80L815AH	V-Ring Lower Turret Guard	1
9	389L854AH	Lower Turret Guard (INCLUDES HARDWARE)	1
9.1	74L254AH	Seam Setting Plate	1
	**LOWERTURRETSEALKITAH (NOT SHOWN)	Lower Turret Seal Kit	1

**LOWERTURRETSEALKITAH		
PART NO.	DESCRIPTION	QTY. per KIT
44L827AH	Lower Turret Seal Shield	1
63L827AH	Lower Turret Seal Shield	1
911L854AH	Lower Turret Seal Clamp	1
910L854AH	Lower Turret Seal Clamp - Short	1
117L815AH	Seal Clamp Gasket	1

* - Item made-to-order N/A - Item is not currently offered by American Holt

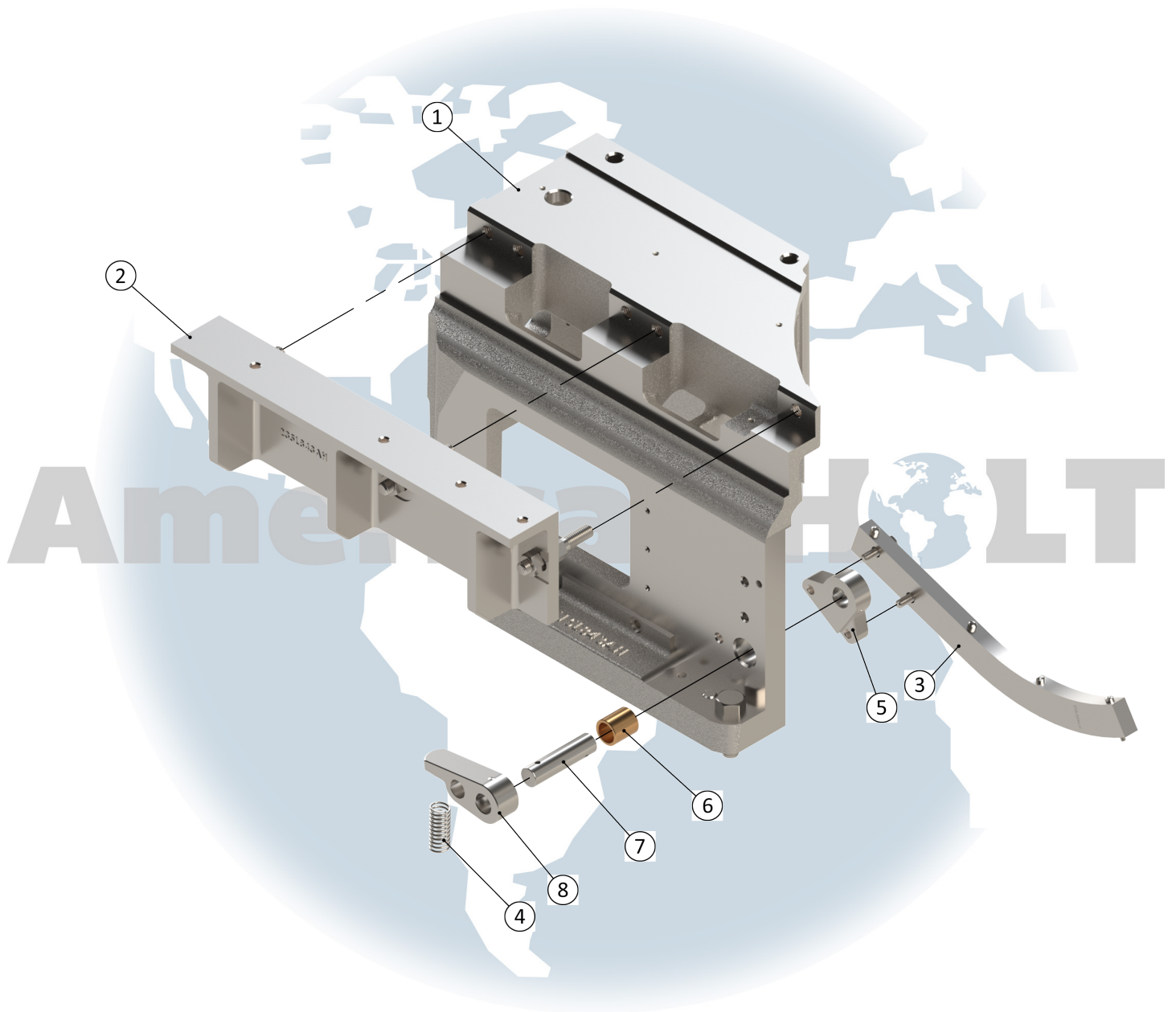
FOR MORE INFORMATION, CONTACT AMERICAN HOLT AT:
781-440-9993 • sales@americanholt.com • www.americanholt.com

121L Seamer

AFTER MARKET PARTS FOR:

CAN FEED TABLE

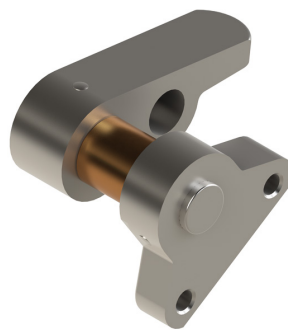
STAINLESS STEEL



NOTICE: All parts offered by American Holt are manufactured by or for American Holt and not by or for the Original Equipment Manufacturer. Part numbers shown that are those of the Original Equipment Manufacturer, if any, are used for reference purposes only. American Holt is an independent supplier of quality replacement parts having no affiliation with any Original Equipment Manufacturer. All prices are subject to change without notice. Copyright ©2022 American Holt Corp. All rights reserved.

CAN FEED TABLE

ITEM NO.	PART NO.	DESCRIPTION	QTY
N/A	710L869AH	Spacer Strip	1
N/A	128L869AH	Feed Chain Track Wear Strip	1
1	515L843AH	Feed Table - Stainless Steel (INCLUDES HARDWARE)	1
2	235L843AH	Inlet Rail Bracket - 316 Stainless Steel (INCLUDES HARDWARE)	1
2.1	2L826AH	Inlet Rail Bracket Screw	3
N/A	9L854AH	Feed Chain Guard	1
N/A	267L854AH	Feed Table Opening Door	1
N/A	14P154AH	Knob	1
N/A	590L854AH	Feed Chain Cover Strip	1
3	508L869AH	Return Chain Guide (INCLUDES HARDWARE)	1
	515L869AH (NOT SHOWN)	Return Chain Guide Wear Strip	1
4	12L840AH	Return Chain Spring	1
The following parts are sold together as sub-assembly 17L800AH - Chain Tensioner			
5	132L869AH	Return Chain Guide Lever	1
6	149L816AH	Oilite Bronze Bushing	1
7	32L844AH	Chain Guide Lever Shaft	1
8	131L869AH	Return Chain Spring Lever	1



17L800AH

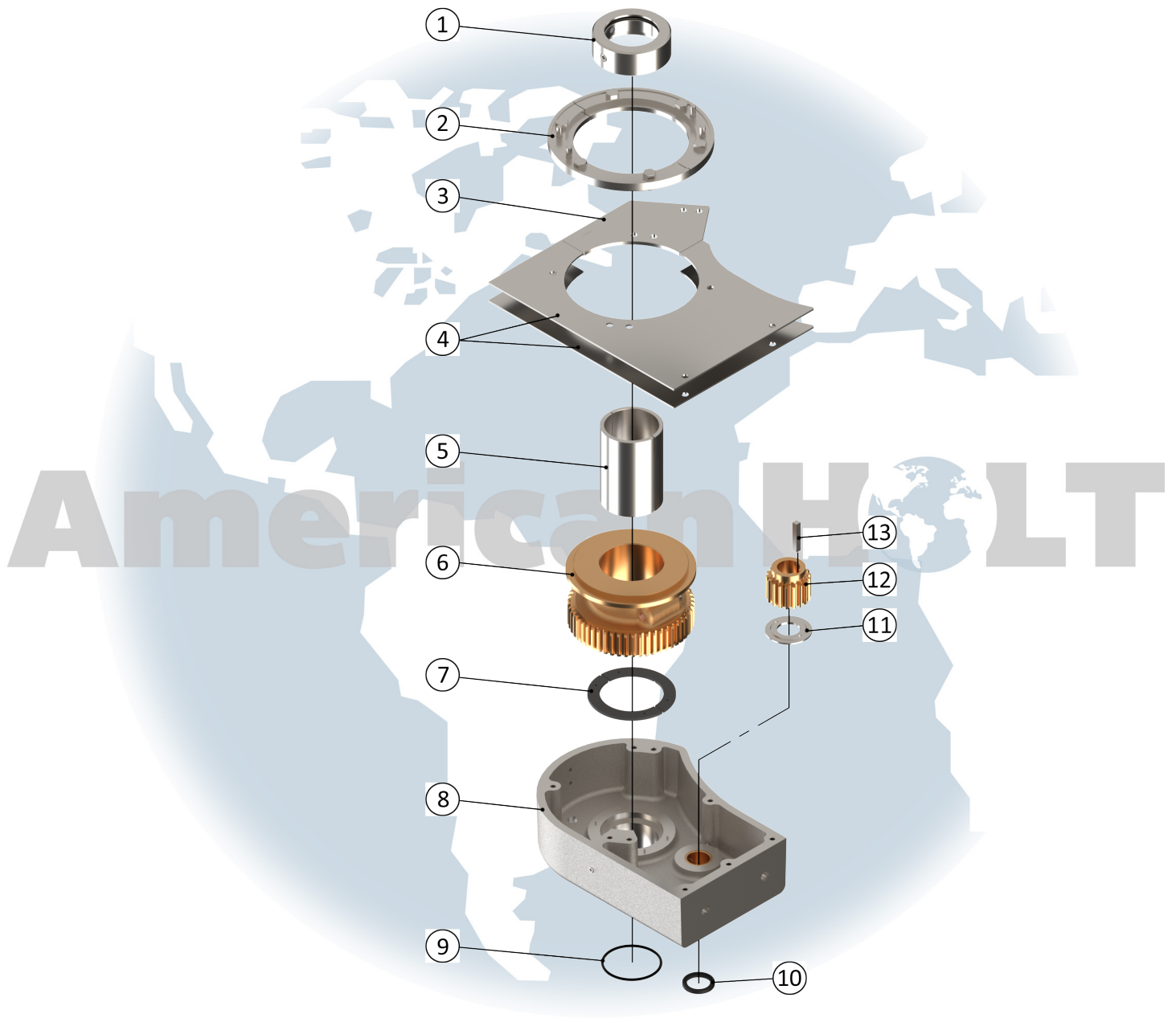
* - Item made-to-order N/A - Item is not currently offered by American Holt

FOR MORE INFORMATION, CONTACT AMERICAN HOLT AT:
781-440-9993 • sales@americanholt.com • www.americanholt.com

121L Seamer

AFTER MARKET PARTS FOR:

CAN FEED & DISCHARGE TABLE UNIT



NOTICE: All parts offered by American Holt are manufactured by or for American Holt and not by or for the Original Equipment Manufacturer. Part numbers shown that are those of the Original Equipment Manufacturer, if any, are used for reference purposes only. American Holt is an independent supplier of quality replacement parts having no affiliation with any Original Equipment Manufacturer. All prices are subject to change without notice. Copyright ©2022 American Holt Corp. All rights reserved.

CAN FEED & DISCHARGE TABLE UNIT

ITEM NO.	PART NO.	DESCRIPTION	QTY
1	8L853AH	Discharge Turret Collar (INCLUDES HARDWARE)	1
1.1	7L815AH	#341 O-Ring	1
N/A	33L853AH	Discharge Turret Spacer	1
2	7L817AH	Discharge Turret Clamp Ring - Stainless Steel (INCLUDES HARDWARE)	1
N/A	10L854AH	Discharge Table Shield Ring	1
3	215L843AH	Discharge Outer Rail Bracket	1
4	423L869AH	Discharge Table Wear Plate	2
5	10L816AH	Discharge Gear Bearing	1
6	14L823AH	Discharge Gear (INCLUDES HARDWARE)	1
7	11L816AH	Thrust Washer	1
8	5L843AH	Discharge Table (INCLUDES HARDWARE)	1
8.1	BUSHBRNZ932-1.752X1.4375X3.0-GRV2	1.750 O.D. x 1.4375 I.D. X 3 Lg. #2 Oil Groove	1
9	7L815AH	#341 O-Ring	1
10	11L815AH	Oil Seal	1
11	226L816AH	Thrust Washer	1
12	190L823AH	Gear 18T (INCLUDES HARDWARE)	1
13	4H647AH	Marker Gear Key	1

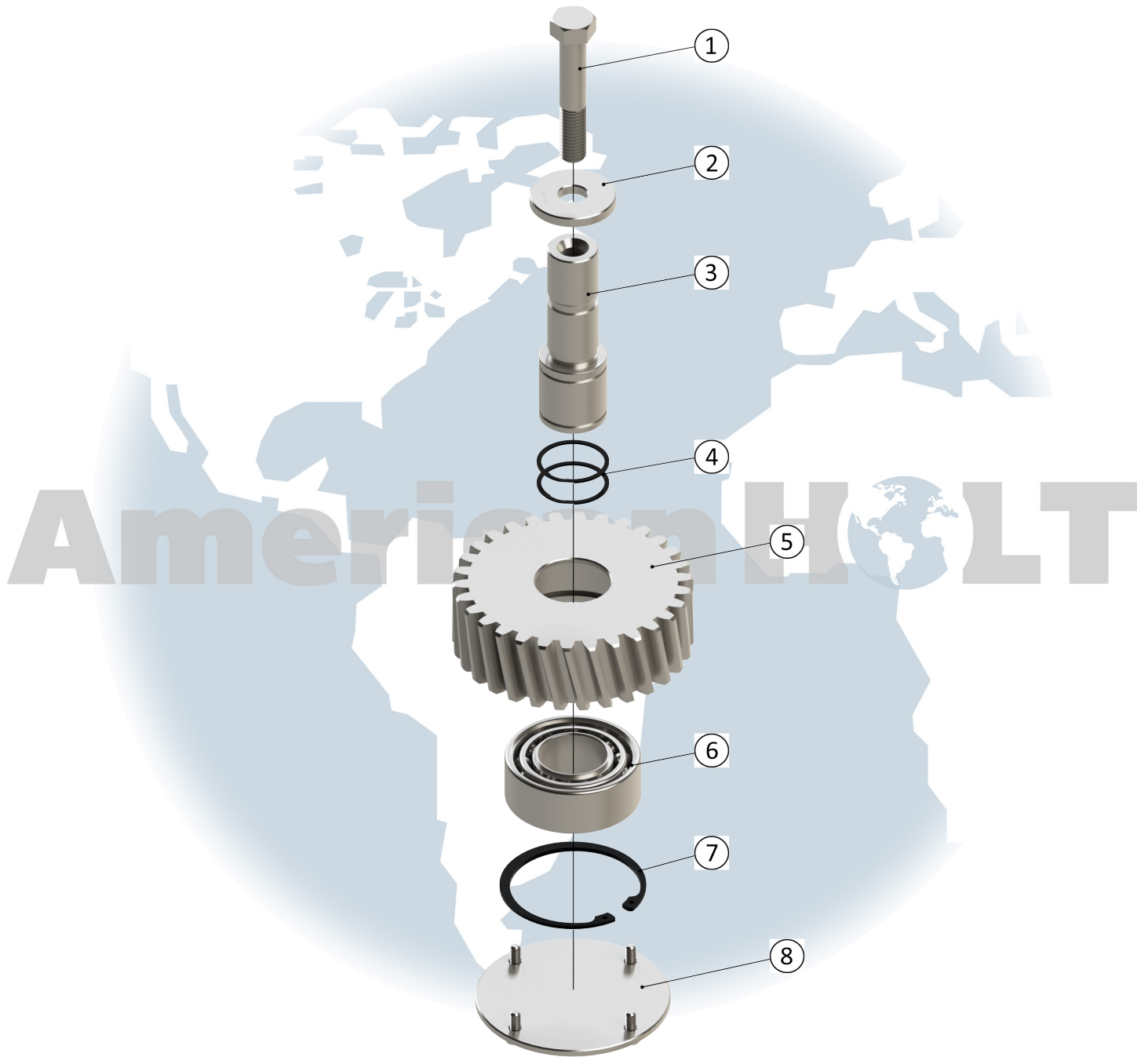
* - Item made-to-order N/A - Item is not currently offered by American Holt

FOR MORE INFORMATION, CONTACT AMERICAN HOLT AT:
781-440-9993 • sales@americanholt.com • www.americanholt.com

121L Seamer

AFTER MARKET PARTS FOR:

BASE DISCHARGE IDLER GEAR



NOTICE: All parts offered by American Holt are manufactured by or for American Holt and not by or for the Original Equipment Manufacturer. Part numbers shown that are those of the Original Equipment Manufacturer, if any, are used for reference purposes only. American Holt is an independent supplier of quality replacement parts having no affiliation with any Original Equipment Manufacturer. All prices are subject to change without notice. Copyright ©2022 American Holt Corp. All rights reserved.

IN-STOCK AND READY TO SHIP.

BASE DISCHARGE IDLER GEAR

ITEM NO.	PART NO.	DESCRIPTION	QTY
1	HHBOLT-SS-0.625-11X3.50	Screw	1
2	45L616AH	Washer 0.6562 X 2 X 0.3125	1
3	4L844AH	Discharge Idler Gear Stud	1
4	2L817AH	Snap Ring	2
5	8L823AH	Discharge Idler Gear	1
6	245L816AH	Ball Bearing	1
7	36L617AH	Retaining Ring	1
8	4L854AH	Discharge Idler Gear Bearing Cover (INCLUDES HARDWARE)	1

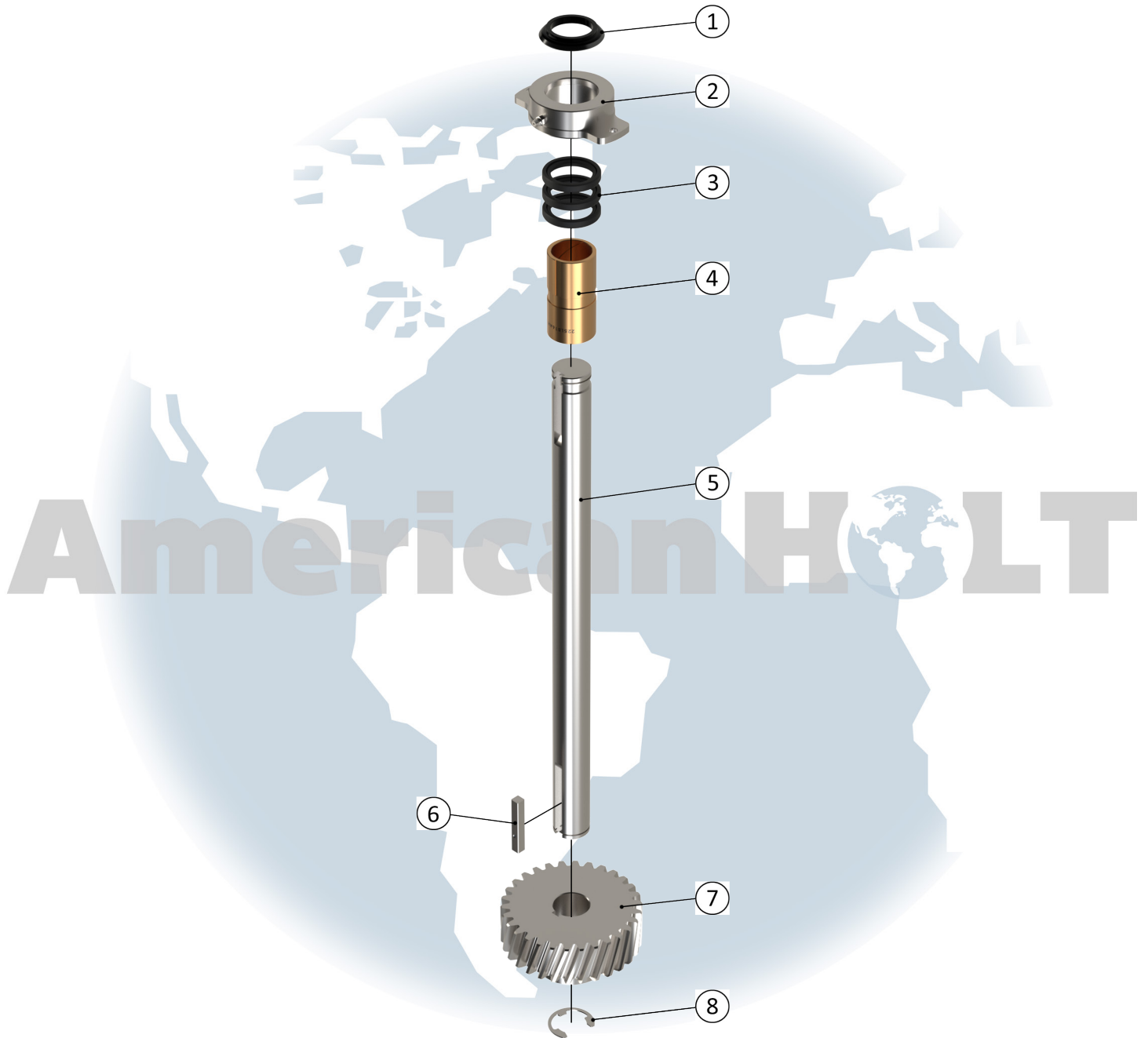
* - Item made-to-order N/A - Item is not currently offered by American Holt

FOR MORE INFORMATION, CONTACT AMERICAN HOLT AT:
781-440-9993 • sales@americanholt.com • www.americanholt.com

121L Seamer

AFTER MARKET PARTS FOR:

BASE DISCHARGE INTERMEDIATE



NOTICE: All parts offered by American Holt are manufactured by or for American Holt and not by or for the Original Equipment Manufacturer. Part numbers shown that are those of the Original Equipment Manufacturer, if any, are used for reference purposes only. American Holt is an independent supplier of quality replacement parts having no affiliation with any Original Equipment Manufacturer. All prices are subject to change without notice. Copyright ©2022 American Holt Corp. All rights reserved.

IN-STOCK AND READY TO SHIP.

BASE DISCHARGE INTERMEDIATE

ITEM NO.	PART NO.	DESCRIPTION	QTY
1	108L815AH	Excluder	1
2	115L817AH	Drive Seal Holder (INCLUDES HARDWARE)	1
3	11L815AH	Oil Seal	3
4	225L816AH	Oillite Bushing	1
5	229L844AH	Discharge Intermediate Shaft	1
6	2P147AH	Key	1
7	9L823AH	Discharge Intermediate Gear (INCLUDES HARDWARE)	1
8	4L617AH	Retaining Ring - Nickel Plated	1

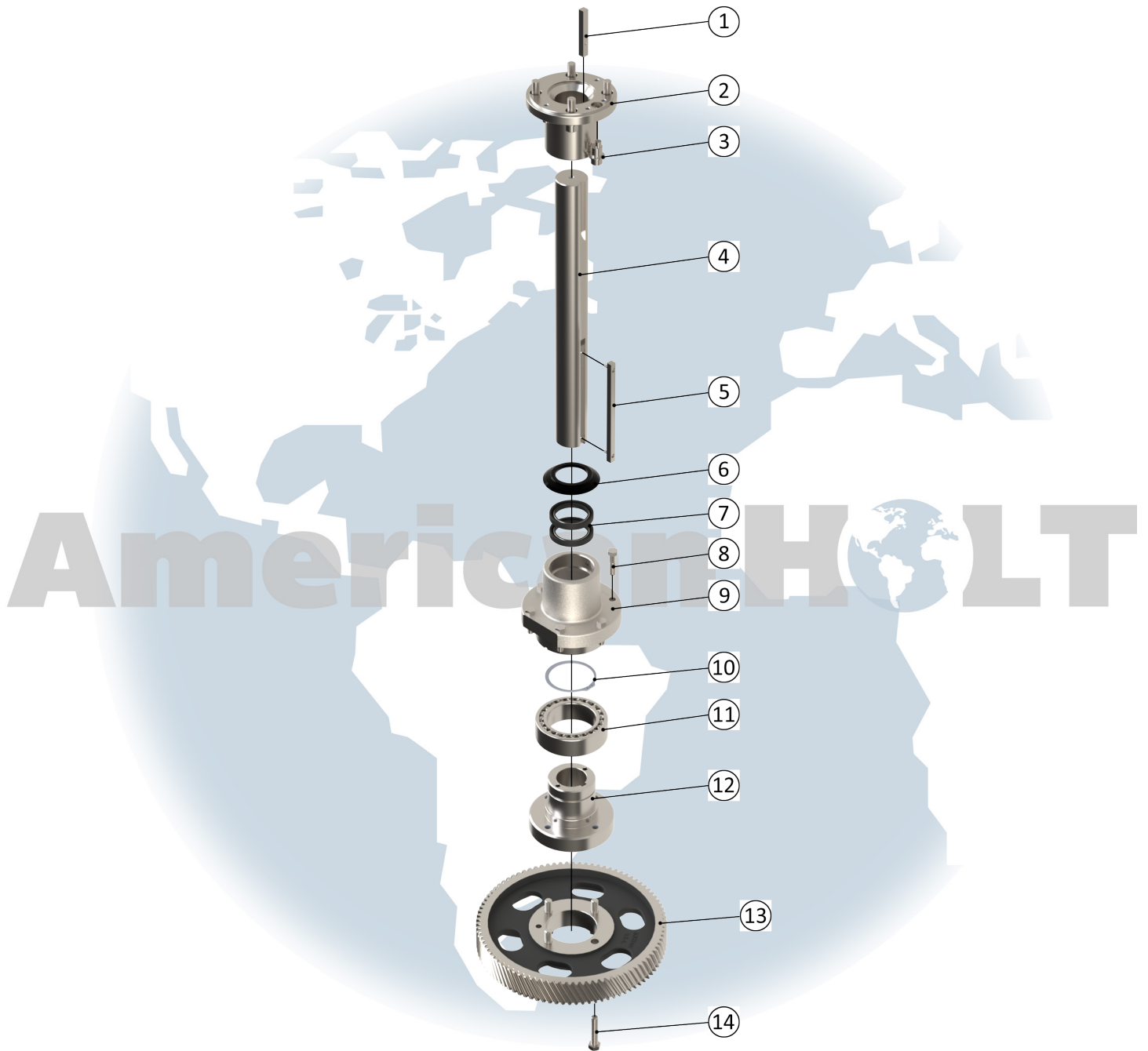
* - Item made-to-order N/A - Item is not currently offered by American Holt

FOR MORE INFORMATION, CONTACT AMERICAN HOLT AT:
781-440-9993 • sales@americanholt.com • www.americanholt.com

121L Seamer

AFTER MARKET PARTS FOR:

FEED TURRET GEAR



NOTICE: All parts offered by American Holt are manufactured by or for American Holt and not by or for the Original Equipment Manufacturer. Part numbers shown that are those of the Original Equipment Manufacturer, if any, are used for reference purposes only. American Holt is an independent supplier of quality replacement parts having no affiliation with any Original Equipment Manufacturer. All prices are subject to change without notice. Copyright ©2022 American Holt Corp. All rights reserved.

FEED TURRET GEAR

ITEM NO.	PART NO.	DESCRIPTION	QTY
1	4L847AH	Key	1
2	1L863AH	Feed Turret Hub (INCLUDES HARDWARE)	1
3	4L828AH	Feed Turret Eccentric Adjustment Pin	1
4	2L844AH	Feed Turret Shaft	1
5	1L847AH	Key (INCLUDES HARDWARE)	1
6	27L815AH	Slinger	1
7	109L815AH	Oil Seal	2
8	SHCS-SS-0.50-13X2.0	Screw	6
9	100L817AH	Feed Turret Gear Bearing Retainer (INCLUDES HARDWARE)	1
10	5P917AH	Snap Ring	1
11	53P916AH	Ball Bearing	1
12	7L823AH	Feed Turret Gear Hub (INCLUDES HARDWARE)	1
13	6L823AH	Feed Turret Gear	1
14	HHBOLT-SS-0.625-11X3.0	Screw	4

2L844AH	Sold assembled as: 121LBASEGEARSHAFTASSYAH (See next 2 pages)
1L847AH	
7L823AH	

* - Item made-to-order N/A - Item is not currently offered by American Holt

FOR MORE INFORMATION, CONTACT AMERICAN HOLT AT:
781-440-9993 • sales@americanholt.com • www.americanholt.com

121L Seamer

AFTER MARKET PARTS FOR:

BASE FEED TURRET GEAR & SHAFT ASSEMBLY 121LBASEGEARSHAFTASSYAH



NOTICE: All parts offered by American Holt are manufactured by or for American Holt and not by or for the Original Equipment Manufacturer. Part numbers shown that are those of the Original Equipment Manufacturer, if any, are used for reference purposes only. American Holt is an independent supplier of quality replacement parts having no affiliation with any Original Equipment Manufacturer. All prices are subject to change without notice. Copyright ©2022 American Holt Corp. All rights reserved.

IN-STOCK AND READY TO SHIP.

BASE FEED TURRET GEAR & SHAFT ASSEMBLY

Sold assembled as 121LBASEGEARSHAFTASSYAH

ITEM NO.	PART NO.	DESCRIPTION	QTY
1	7L823AH	Feed Turret Gear Hub (INCLUDES HARDWARE)	1
2	2L844AH	Feed Turret Shaft	1
3	1L847AH	Key (INCLUDES HARDWARE)	1

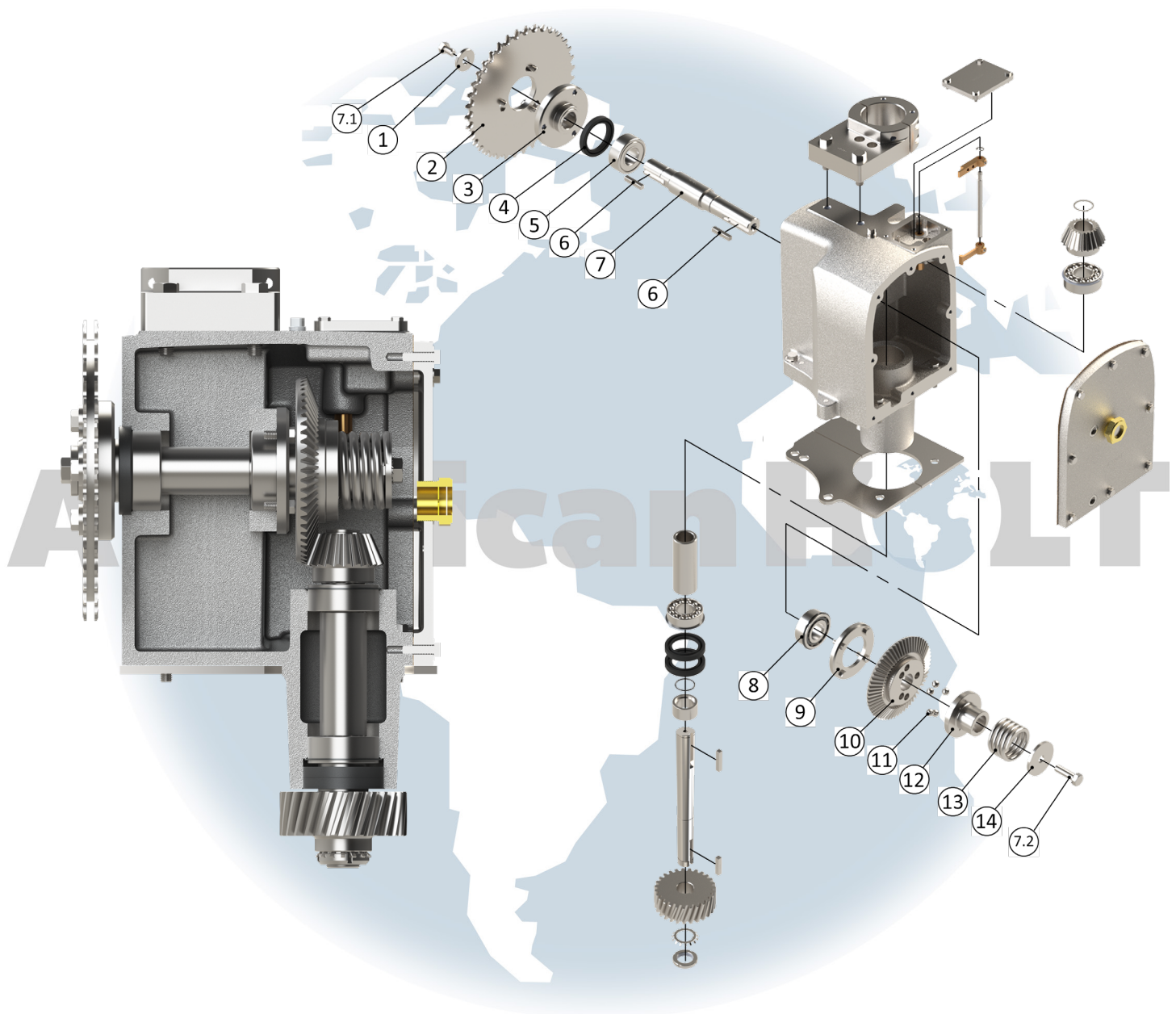
* - Item made-to-order N/A - Item is not currently offered by American Holt

FOR MORE INFORMATION, CONTACT AMERICAN HOLT AT:
781-440-9993 • sales@americanholt.com • www.americanholt.com

121L Seamer

AFTER MARKET PARTS FOR:

CAN FEED & DISCHARGE (Part 1) DRIVECASE-3L843AH-121L-ASSYAH



NOTICE: All parts offered by American Holt are manufactured by or for American Holt and not by or for the Original Equipment Manufacturer. Part numbers shown that are those of the Original Equipment Manufacturer, if any, are used for reference purposes only. American Holt is an independent supplier of quality replacement parts having no affiliation with any Original Equipment Manufacturer. All prices are subject to change without notice. Copyright ©2022 American Holt Corp. All rights reserved.

CAN FEED & DISCHARGE (Part 1) DRIVECASE-3L843AH-121L-ASSYAH

ITEM NO.	PART NO.	DESCRIPTION	QTY
1	45L616AH	Washer 0.6562 X 2 X 0.3125	1
2	L824AH (1L824AH SHOWN)	Feed Sprocket - 36T (SUPPLEMENTAL PART)	1
3	2L824AH	Feed Sprocket Hub	1
4	2L815AH	Oil Seal	1
	52L816-3AH (NOT SHOWN)	Seaming Spindle Shim .003" Thick	5
	52L816-5AH (NOT SHOWN)	Seaming Spindle Shim .005" Thick	5
	52L816-10AH (NOT SHOWN)	Seaming Spindle Shim .010" Thick	3
	52L816-32AH (NOT SHOWN)	Seaming Spindle Shim .032" Thick	3
5	9L616AH	Ball Bearing	1
6	2L647AH	Seaming Spindle Pinion Key	2
7	7L844AH	Feed Sprocket Shaft (INCLUDES HARDWARE)	1
7.1	HHBOLT-SS-0.625-11X1.0	Hex Head Bolt	1
7.2	HHBOLT-SS-0.625-11X2.0	Hex Head Bolt	1
8	6L816AH	Ball Bearing	1
9	8L817AH	Feed Bevel Gear Bearing Retainer (INCLUDES HARDWARE)	1
10	12L823AH	Feed Bevel Gear	1
11	48L616AH	Hardened Steel Ball	5
12	1L897AH	Feed Safety Clutch Hub	1
13	3L840AH	Compression Spring	1
14	12L816AH	Washer	1

* - Item made-to-order N/A - Item is not currently offered by American Holt

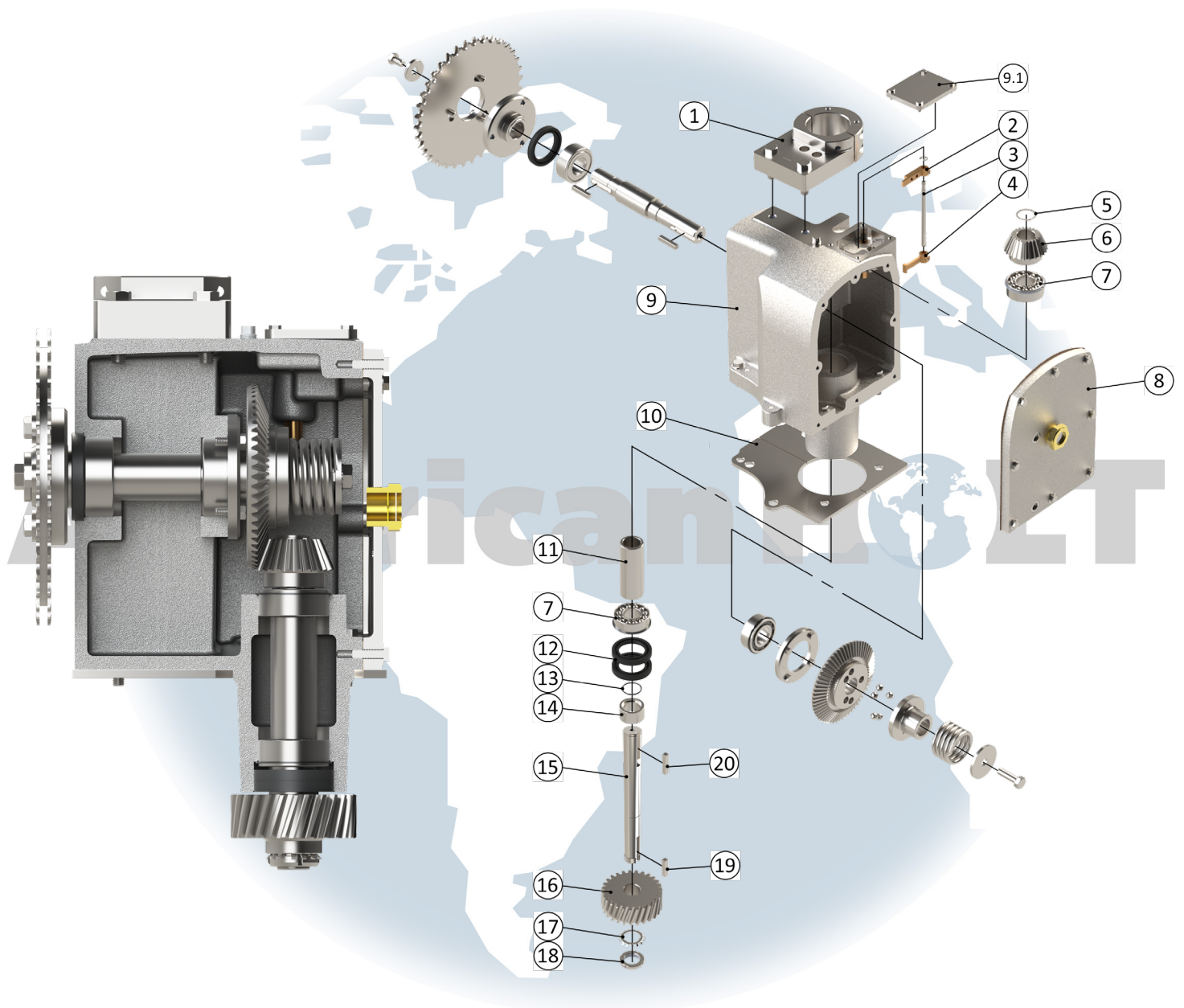
FOR MORE INFORMATION, CONTACT AMERICAN HOLT AT:
781-440-9993 • sales@americanholt.com • www.americanholt.com

120L Seamer

AFTER MARKET PARTS FOR:

CAN FEED & DISCHARGE (Part 2)

DRIVECASE-3L843AH-121L-ASSYAH



NOTICE: All parts offered by American Holt are manufactured by or for American Holt and not by or for the Original Equipment Manufacturer. Part numbers shown that are those of the Original Equipment Manufacturer, if any, are used for reference purposes only. American Holt is an independent supplier of quality replacement parts having no affiliation with any Original Equipment Manufacturer. All prices are subject to change without notice. Copyright ©2022 American Holt Corp. All rights reserved.

CAN FEED & DISCHARGE (Part 2) DRIVECASE-3L843AH-121L-ASSYAH

ITEM NO.	PART NO.	DESCRIPTION	QTY
1	6L843AH	Column Support Bracket (INCLUDES HARDWARE)	1
2	3L846AH	Switch Spring Lever (INCLUDES HARDWARE)	1
	15L633AH (NOT SHOWN)	Micro Switch	1
3	8L844AH	Switch Lever Shaft	1
3.1	27L617AH	Retaining Ring - Nickel Plated	1
4	2L846AH	Switch Lever (INCLUDES HARDWARE)	1
5	9P917AH	Retaining Ring	1
6	11L823AH	Feed Bevel Pinion	1
	114L816-3AH (NOT SHOWN)	Washer Shim .003" Thick	2
	114L816-5AH (NOT SHOWN)	Washer Shim .005" Thick	2
7	8L816AH	Ball Bearing	2
8	6L854AH	Feed Drive Case Cover (INCLUDES HARDWARE)	1
8.1	115L614AH	Liquid Level Sight Plug	1
8.2	6L854AH-GASKETAH	Drive Case Cover Gasket	1
9	3L843AH	Feed Drive Case (INLCUDES HARDWARE)	1
9.1	13L816AH	Switch Lever Shaft Bushing .3750 X .7500 X 3.1875	1
9.2	5L846AH	Switch Box Cover (INCLUDES HARDWARE)	1
10	47L853AH	Feed Drive Case Spacer (for beverage use only)	1
N/A	43L828AH	Dowel Pin 0.5000 X 1.7500	2
N/A	406L853AH	Feed Drive Case Spacer	1
11	9L853AH	Spacer	1
12	6L815AH	Oil Seal	2
13	62L815AH	#220 O-Ring	1
14	10L853AH	Sleeve	1
15	176L844AH	Feed Drive Shaft	1
16	155L823AH	Feed Drive Gear	1
17	4P116AH	Bearing Lockwasher	1
18	3P116AH	Bearing Locknut	1
19	3L447AH	Key	1
20	2L647AH	Seaming Spindle Pinion Key	1
N/A	44L828AH	Dowel Pin 0.5000 X 2.0000	2
	19L640AH (NOT SHOWN)	Retainer Spring	1

121L Seamer

AFTER MARKET PARTS FOR:

LOWER TURRET



NOTICE: All parts offered by American Holt are manufactured by or for American Holt and not by or for the Original Equipment Manufacturer. Part numbers shown that are those of the Original Equipment Manufacturer, if any, are used for reference purposes only. American Holt is an independent supplier of quality replacement parts having no affiliation with any Original Equipment Manufacturer. All prices are subject to change without notice. Copyright ©2022 American Holt Corp. All rights reserved.

IN-STOCK AND READY TO SHIP.

LOWER TURRET

ITEM NO.	PART NO.	DESCRIPTION	QTY
1	5L827AH	Seaming Turret Split Mounting Ring (INCLUDES HARDWARE)	1
2	*70L844AH	Lower Turret Hollow Shaft (INCLUDES HARDWARE)	1
N/A	21L854AH	Lower Turret Keyway Shield	1
3	*52L827AH-48L827AH-ASSYAH	Lower Turret Assembly (INCLUDES HARDWARE)	1
4	5P917AH	Snap Ring	1
5	53P916AH	Ball Bearing	1
6	81L823AH	Lower Chuck Drive Gear	1
7	71L814AH	Sight Glass Gauge	1
	44L827AH (NOT SHOWN)	Lower Turret Seal Shield	1
8	*18L817AH	Retainer (INCLUDES HARDWARE)	1
9	82L820AH (SHOWN) / 3L820AH / 45L820AH	Lower Chuck Cam Return - Discharge (INCLUDES HARDWARE)	1
9.1	253L816-3AH	Shim .003" Thick	2
9.2	253L816-5AH	Shim .005" Thick	1
9.3	253L816-10AH	Shim .010" Thick	1
10	81L820AH (SHOWN) / 41L820AH / 46L820AH	Lower Chuck Cam Return - Feed (INCLUDES HARDWARE)	1
10.1	253L816-3AH	Shim .003" Thick	2
10.2	253L816-5AH	Shim .005" Thick	1
10.3	253L816-10AH	Shim .010" Thick	1
11	55L820AH	Lower Chuck Return Cam Plate	1

ITEM NO.	PART NO.	DESCRIPTION	QTY
12	80L820AH (SHOWN) / 40L820AH / 44L820AH	Lower Chuck Cam	1
13	79L817AH	Lower Chuck Cam Clamp - Single (INCLUDES HARDWARE)	8
14	17L816AH	Ball Bearing	1
15	24L823AH	Lower Turret Gear	1
16	35L817AH	Holder Lower Drive Pinion Bearing	1
17	SHCS-SS-0.50-13X5.0	Screw	4
18	86L817AH	Retaining Ring Bearing Holder Seal	1
19	87L815AH	Seal Bearing Holder Excluder	1
20	246L816AH	Ball Bearing	1
N/A	17L817AH	Lower Drive Bearing Retainer	1
21	154L853AH	Lower Drive Pin Hub Sleeve	1
22	75L823AH (High Speed G16)	Lower Drive Pinion 72T	1
23	26L823AH	Lower Drive Pinion Hub	1
24	HHBOLT-SS-0.50-13X1.25	Screw	6
	98L815AH (NOT SHOWN)	Upper Turret Hub Cap Seal	1
N/A	68L654AH	Seaming Turret Numbers 1 - 6	1
N/A	2L854AH	Seaming Turret Numbers 7 - 9	1
N/A	3L854AH	Seaming Turret Numbers 10 - 12	1

* - Item made-to-order N/A - Item is not currently offered by American Holt

FOR MORE INFORMATION, CONTACT AMERICAN HOLT AT:
781-440-9993 • sales@americanholt.com • www.americanholt.com

121L Seamer

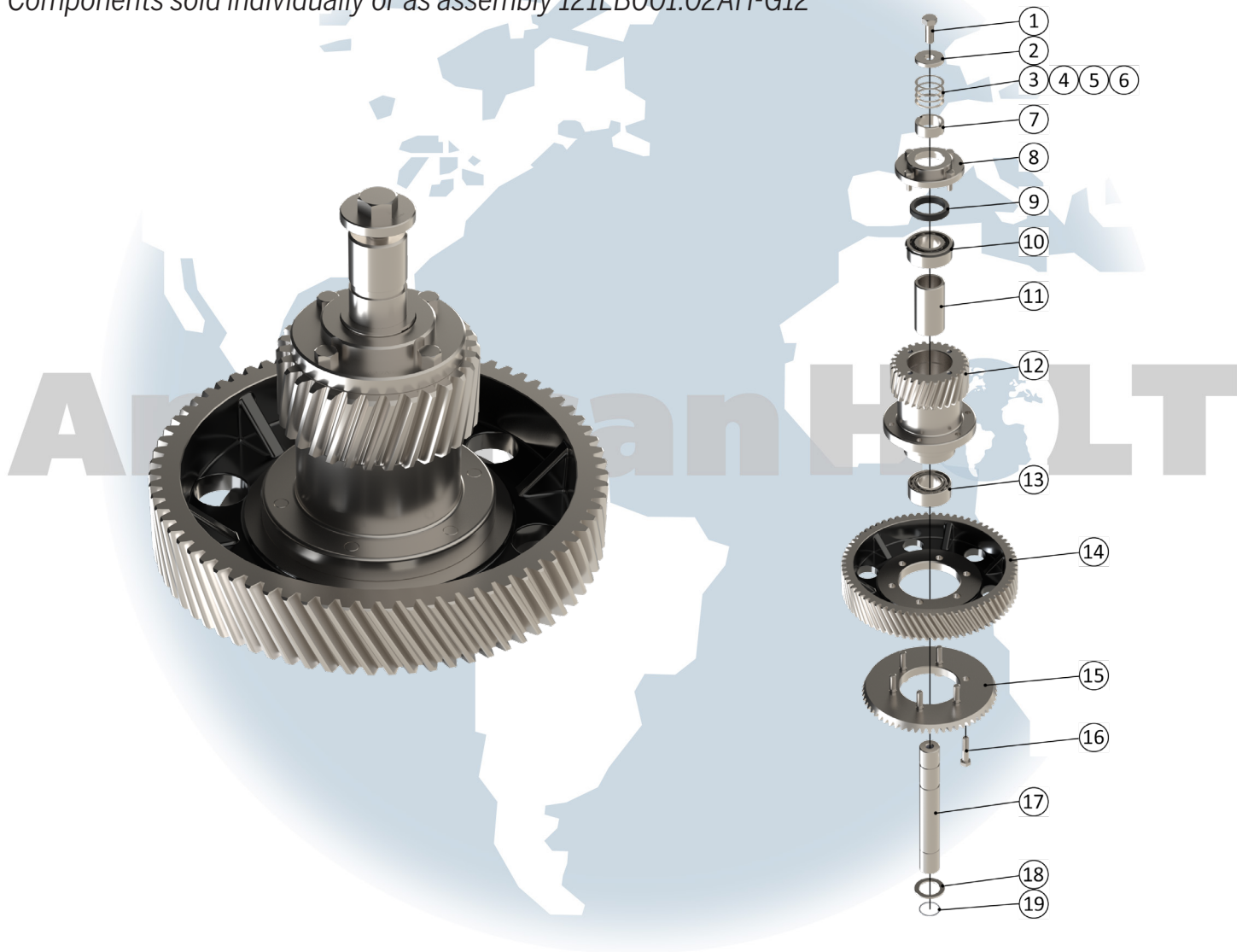
AFTER MARKET PARTS FOR:

BASE INTERMEDIATE GEAR

121LB001.02AH-G12

Low Speed 1200 cans/min

Components sold individually or as assembly 121LB001.02AH-G12



NOTICE: All parts offered by American Holt are manufactured by or for American Holt and not by or for the Original Equipment Manufacturer. Part numbers shown that are those of the Original Equipment Manufacturer, if any, are used for reference purposes only. American Holt is an independent supplier of quality replacement parts having no affiliation with any Original Equipment Manufacturer. All prices are subject to change without notice. Copyright ©2022 American Holt Corp. All rights reserved.

IN-STOCK AND READY TO SHIP.

BASE INTERMEDIATE GEAR

Sold assembled as 21LB001.02AH-G12

ITEM NO.	PART NO.	DESCRIPTION	QTY
1	HHBOLT-SS-0.625-11X1.50	Screw	1
2	45L616AH	Washer 0.5652 X 2 X 0.3125	1
3	180L816-2AH	Shim .002" Thick	3
4	180L816-5AH	Shim .005" Thick	3
5	180L816-8AH	Shim .008" Thick	3
6	180L816-15AH	Shim .015" Thick	3
7	273L853AH	Intermediate Pinion Seal Sleeve	1
8	3L817AH	Intermediate Pinion Bearing Retainer (INCLUDES HARDWARE)	1
9	2L615AH	Oil Seal	1
10	6L816AH	Ball Bearing	1
11	299L853AH	Intermediate Gear Assembly Spacer	1
12	198L823AH	Intermediate Gear	1
13	245L816AH	Ball Bearing	1
14	4L823AH	Intermediate Gear	1
15	15L823AH	Filler Drive Bevel Gear	1
16	HHBOLT-SS-0.50-13X2.25	Screw	6
17	279L844AH	Intermediate Pinion Stud	1
18	192L816AH	Thrust Washer	1
19	2L817AH	Snap Ring	1

* - Item made-to-order N/A - Item is not currently offered by American Holt

FOR MORE INFORMATION, CONTACT AMERICAN HOLT AT:
781-440-9993 • sales@americanholt.com • www.americanholt.com

121L Seamer

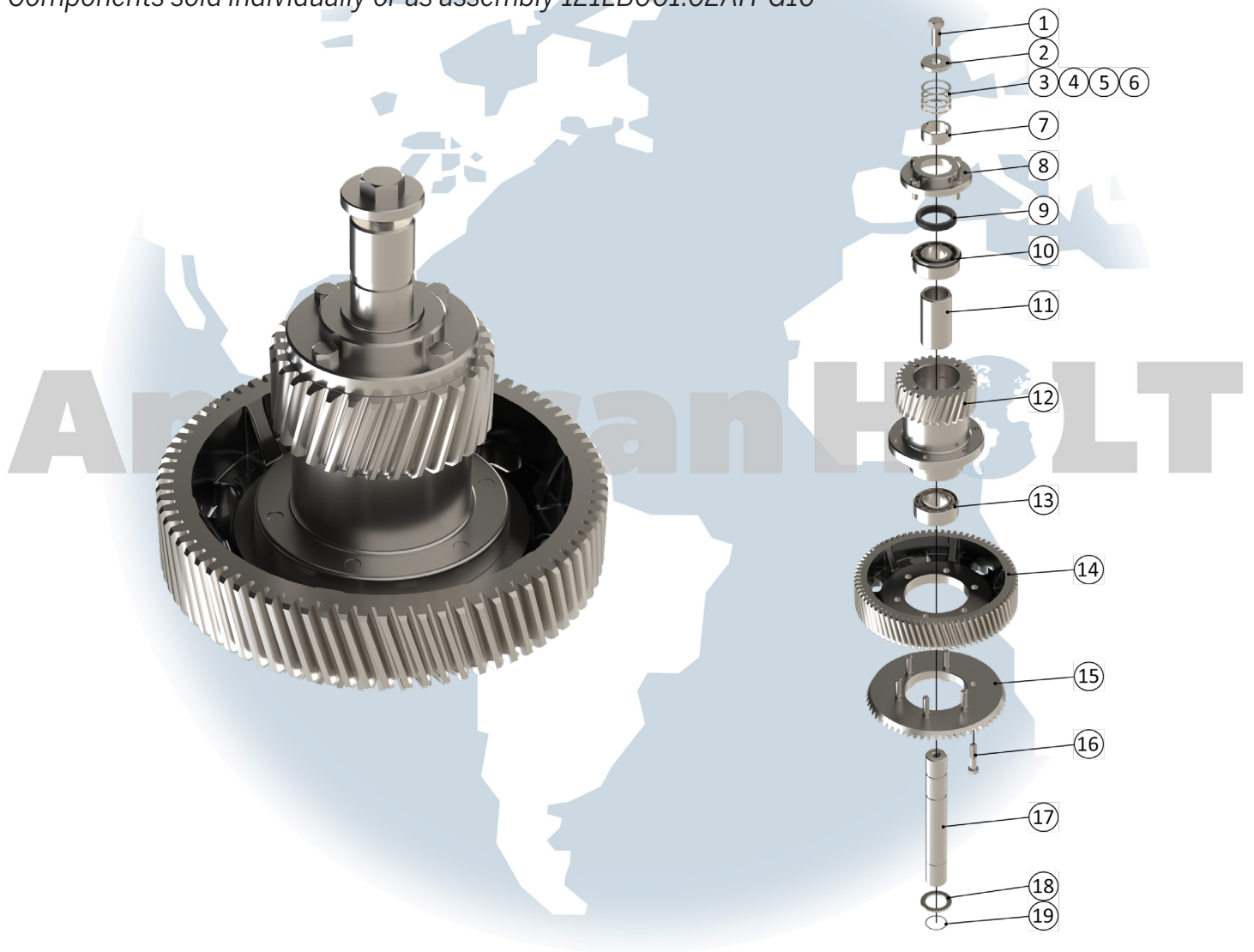
AFTER MARKET PARTS FOR:

BASE INTERMEDIATE GEAR

121LB001.02AH-G16

High Speed 1600 cans/min

Components sold individually or as assembly 121LB001.02AH-G16



NOTICE: All parts offered by American Holt are manufactured by or for American Holt and not by or for the Original Equipment Manufacturer. Part numbers shown that are those of the Original Equipment Manufacturer, if any, are used for reference purposes only. American Holt is an independent supplier of quality replacement parts having no affiliation with any Original Equipment Manufacturer. All prices are subject to change without notice. Copyright ©2022 American Holt Corp. All rights reserved.

IN-STOCK AND READY TO SHIP.

BASE INTERMEDIATE GEAR

Sold assembled as 121LB001.02AH-G16

ITEM NO.	PART NO.	DESCRIPTION	QTY
1	HHBOLT-SS-0.625-11X1.50	Screw	1
2	45L616AH	Washer 0.5652 X 2 X 0.3125	1
3	180L816-2AH	Shim .002" Thick	3
4	180L816-5AH	Shim .005" Thick	3
5	180L816-8AH	Shim .008" Thick	3
6	180L816-15AH	Shim .015" Thick	3
7	273L853AH	Intermediate Pinion Seal Sleeve	1
8	3L817AH	Intermediate Pinion Bearing Retainer (INCLUDES HARDWARE)	1
9	2L615AH	Oil Seal	1
10	6L816AH	Ball Bearing	1
11	299L853AH	Intermediate Gear Assembly Spacer	1
12	198L823AH	Intermediate Gear	1
13	245L816AH	Ball Bearing	1
14	74L823AH	Intermediate Gear	1
15	15L823AH	Filler Drive Bevel Gear	1
16	HHBOLT-SS-0.50-13X2.25	Screw	6
17	279L844AH	Intermediate Pinion Stud	1
18	192L816AH	Thrust Washer	1
19	2L817AH	Snap Ring	1

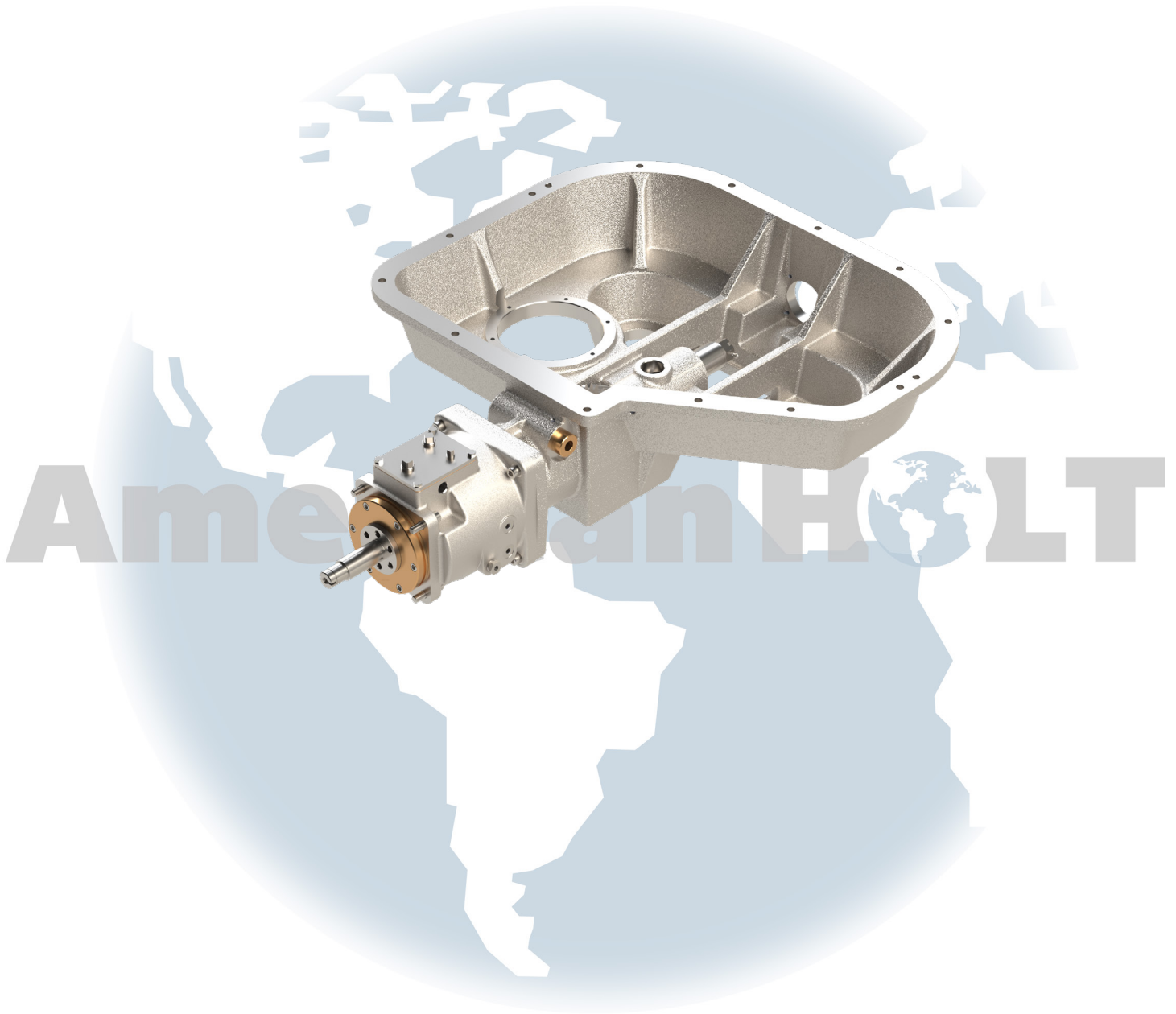
* - Item made-to-order N/A - Item is not currently offered by American Holt

FOR MORE INFORMATION, CONTACT AMERICAN HOLT AT:
781-440-9993 • sales@americanholt.com • www.americanholt.com

120L/121L Seamer

AFTER MARKET PARTS FOR:

FILLER DRIVE WITH ELECTRIC CLUTCH & IN-MOTION TIMER BELT DRIVE

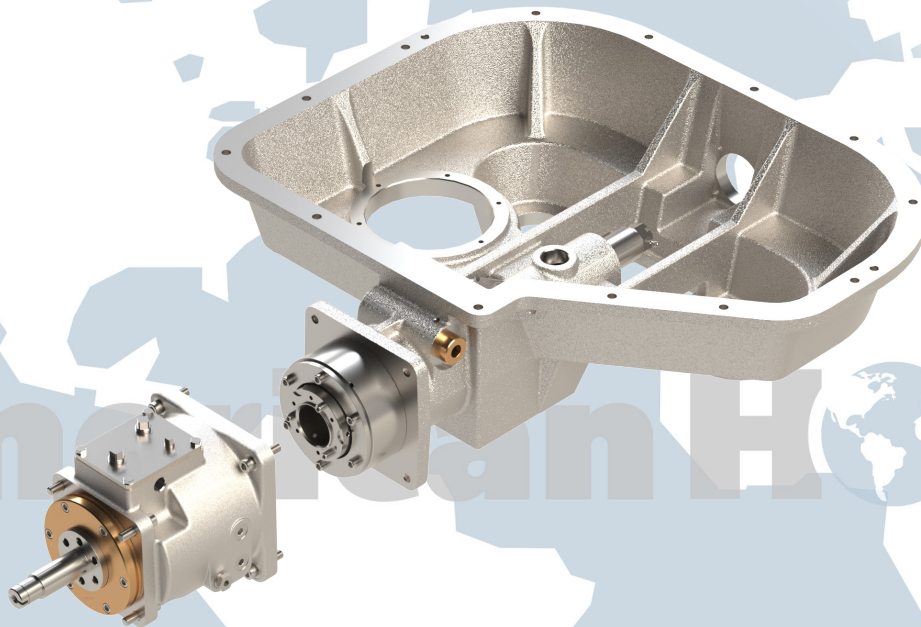


NOTICE: All parts offered by American Holt are manufactured by or for American Holt and not by or for the Original Equipment Manufacturer. Part numbers shown that are those of the Original Equipment Manufacturer, if any, are used for reference purposes only. American Holt is an independent supplier of quality replacement parts having no affiliation with any Original Equipment Manufacturer. All prices are subject to change without notice. Copyright ©2022 American Holt Corp. All rights reserved.

IN-STOCK AND READY TO SHIP.

American HOLT
engineered savings®

EXPLODED FILLER DRIVE WITH ELECTRIC CLUTCH & IN-MOTION TIMER BELT DRIVE



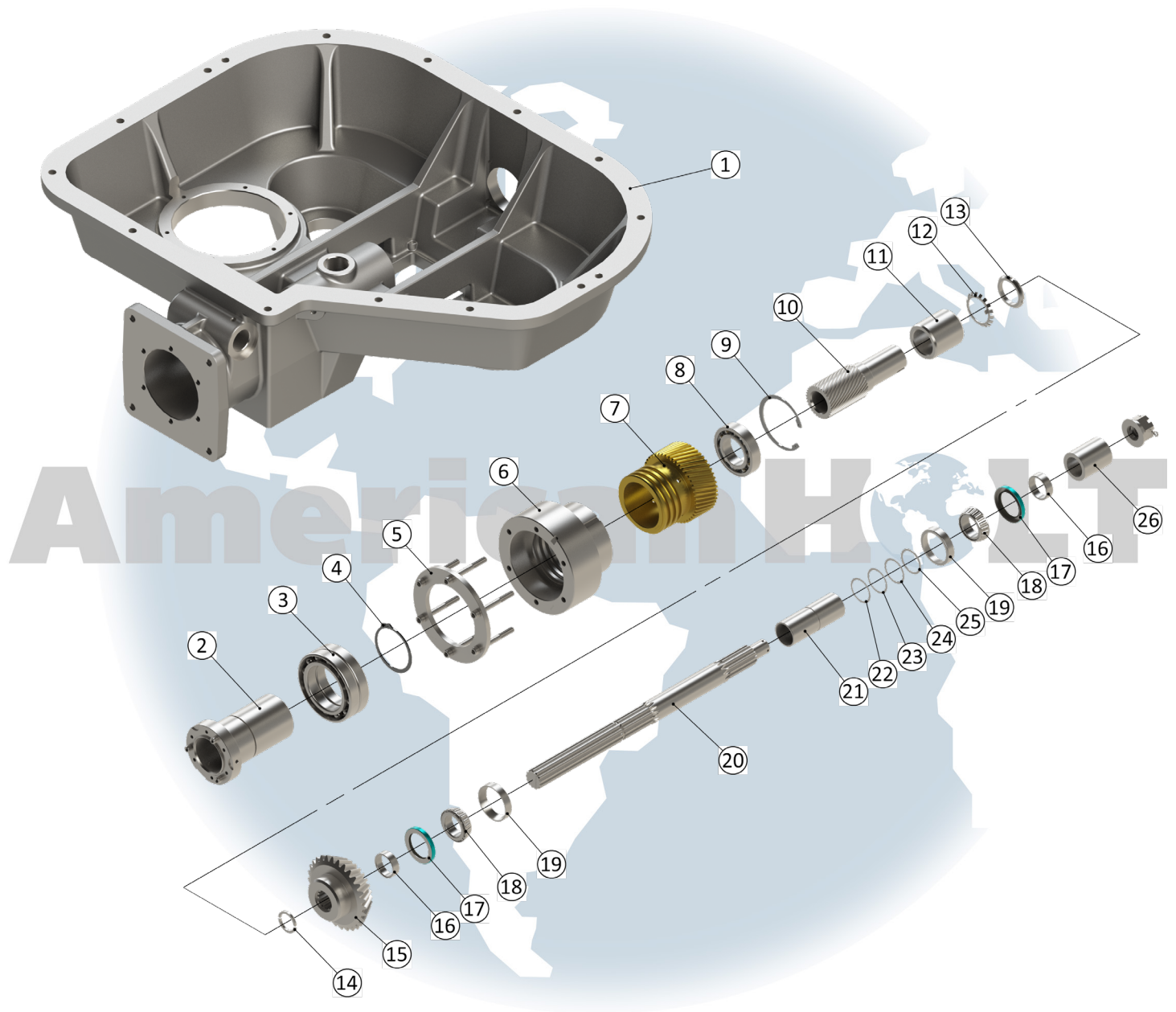
FOR MORE INFORMATION, CONTACT AMERICAN HOLT AT:
781-440-9993 • sales@americanholt.com • www.americanholt.com

SALES@AMERICANHOLT.COM • 781-440-9993 **27** WWW.AMERICANHOLT.COM • JANUARY 2024

121L Seamer

AFTER MARKET PARTS FOR:

FILLER DRIVE & IN-MOTION TIMER BELT DRIVE



NOTICE: All parts offered by American Holt are manufactured by or for American Holt and not by or for the Original Equipment Manufacturer. Part numbers shown that are those of the Original Equipment Manufacturer, if any, are used for reference purposes only. American Holt is an independent supplier of quality replacement parts having no affiliation with any Original Equipment Manufacturer. All prices are subject to change without notice. Copyright ©2022 American Holt Corp. All rights reserved.

IN-STOCK AND READY TO SHIP.

FILLER DRIVE & IN-MOTION TIMER BELT DRIVE

ITEM NO.	PART NO.	DESCRIPTION	QTY
1	475L843AH	121L In-Motion Timer Base Pan	1
2	149L823AH	Outer Drive Sleeve (INCLUDES HARDWARE)	1
3	25L416AH	Ground Bearing Pair	1
4	28L617AH	Retaining Ring	1
5	88L817AH	Adjustment Sleeve Bearing Retainer (INCLUDES HARDWARE)	1
6	72L897AH	Adjusting Sleeve	1
7	148L823AH	Adjusting Sleeve	1
8	54S816AH	Ball Bearing	1
9	9L617AH	Retaining Ring	1
10	178L823AH	Inner Drive Sleeve	1
11	361L853AH	Spacer	1
12	217L816AH	Bearing Lockwasher	1
13	216L816AH	Bearing Locknut	1
14	60L817AH	Filler Drive Shaft Retainer	1
15	82L823AH	Filler Drive Pinion Bevel Gear	1
16	112L853AH	Spacer 1.500 X 1.750 X .562	2
17	61L815AH	Oil Seal	2
18	124L816AH	Tapered Roller Bearing Cone	2
19	125L816AH	Tapered Roller Bearing Cup	2
20	219L844AH	Filler Drive Shaft (INCLUDES HARDWARE)	1
20.1	134L816AH	Slotted Hex Nut	1
21	115L853AH	Spacer	1
22	129L816-3AH	Shim .003" Thick	1
23	129L816-5AH	Shim .005" Thick	1
24	129L816-10AH	Shim .010" Thick	1
25	129L816-32AH	Shim .032" Thick	1
26	136L853AH	Filler Drive Intermediate Shaft Collar	1

* - Item made-to-order N/A - Item is not currently offered by American Holt

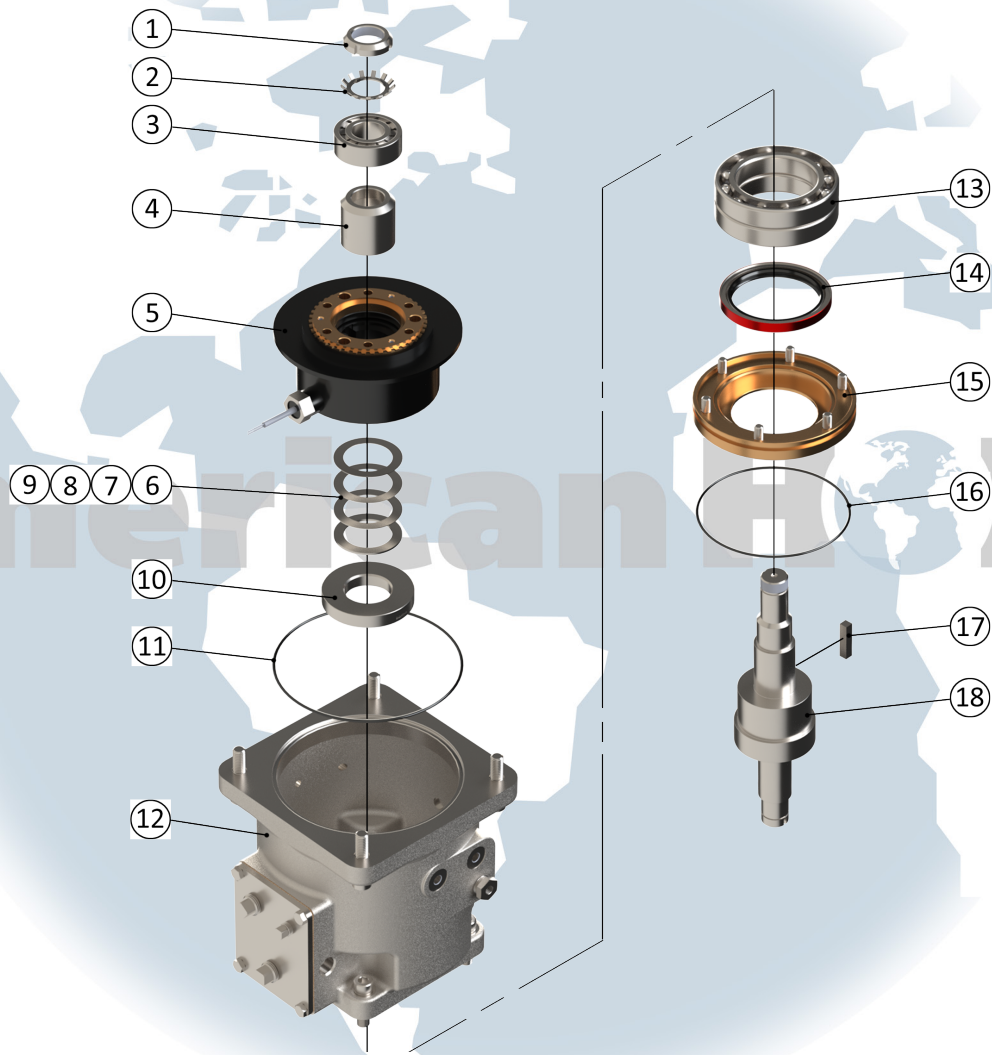
FOR MORE INFORMATION, CONTACT AMERICAN HOLT AT:
781-440-9993 • sales@americanholt.com • www.americanholt.com

121L Seamer

AFTER MARKET PARTS FOR:

ELECTRIC CLUTCH

121L-ELECTRIC-CLUTCHAH



NOTICE: All parts offered by American Holt are manufactured by or for American Holt and not by or for the Original Equipment Manufacturer. Part numbers shown that are those of the Original Equipment Manufacturer, if any, are used for reference purposes only. American Holt is an independent supplier of quality replacement parts having no affiliation with any Original Equipment Manufacturer. All prices are subject to change without notice. Copyright ©2022 American Holt Corp. All rights reserved.

IN-STOCK AND READY TO SHIP.

ELECTRIC CLUTCH - 121L-ELECTRIC-CLUTCHAH

ITEM NO.	PART NO.	DESCRIPTION	QTY
1	19L616AH	Bearing Locknut	1
2	18L616AH	Bearing Lockwasher	1
3	255L816AH	Ball Bearing	1
4	263L853AH	Non-Magnetic SS Spacer	1
5	854L833AH	Tooth Clutch (INCLUDES HARDWARE)	1
6	183L816-3AH	Shim .003" Thick	7
7	183L816-5AH	Shim .005" Thick	3
8	183L816-10AH	Shim .010" Thick	3
9	183L616-30AH	Shim .030" Thick	3
10	262L853AH	Spacer	1
11	63L815AH	#262 O-Ring	1
12	472L843AH	In-Motion Timer Housing (INCLUDES HARDWARE)	1
12.1	96L254AH	Belt Drive Clutch Cover (INCLUDES HARDWARE)	1
12.1.1	121L826AH	Self Sealing Bolt	4
12.1.2	92L815AH	Clutch Cover Gasket	1
13	25L416AH	Ball Bearing Pair	1
14	13L615AH	Oil Seal	1
15	30L617AH	Bearing Retainer (INCLUDES HARDWARE)	1
16	29L815AH	#259 O-Ring	1
17	3L447AH	Key	1
18	173L844AH	Clutch Output Shaft	1

* - Item made-to-order N/A - Item is not currently offered by American Holt

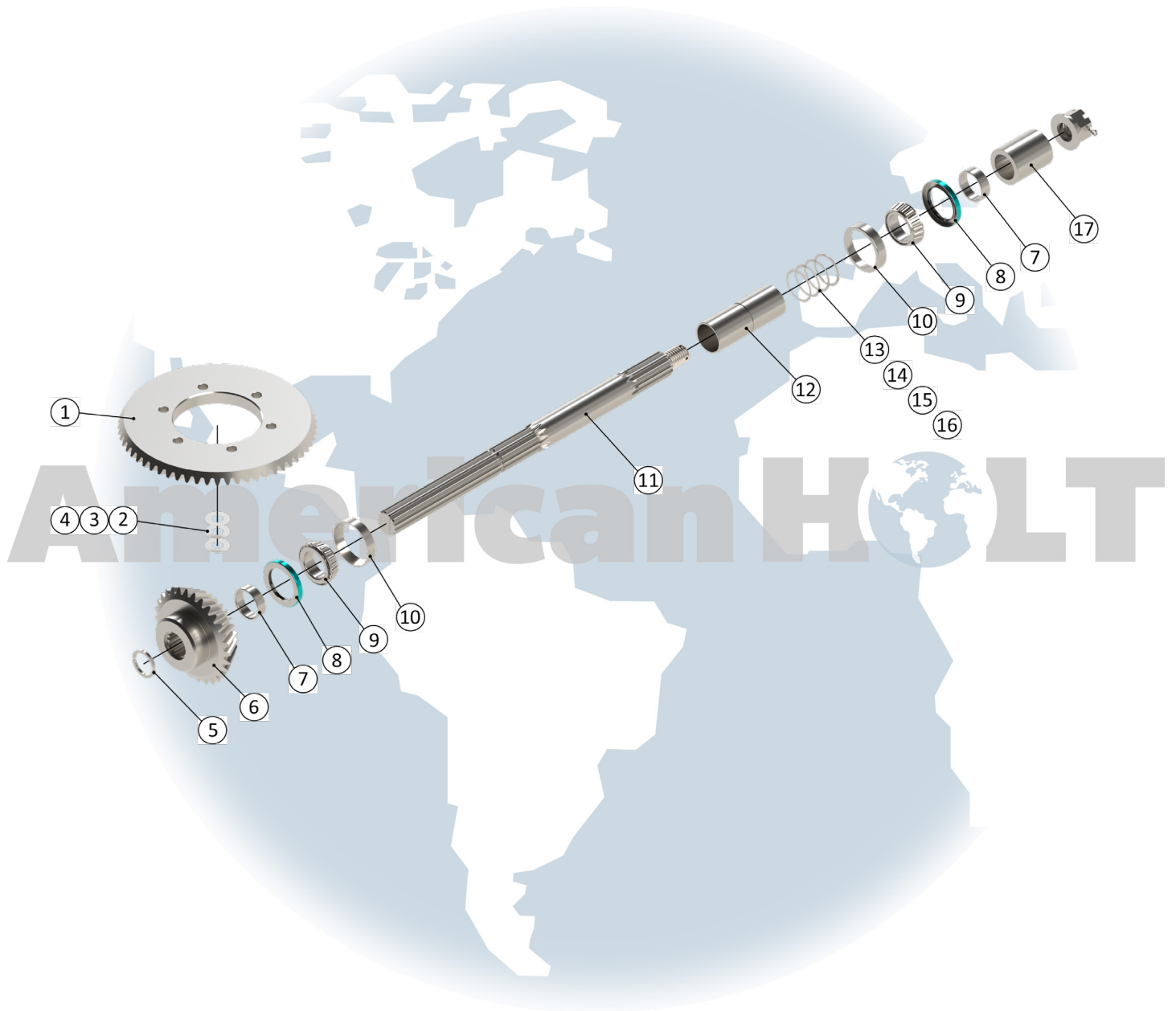
FOR MORE INFORMATION, CONTACT AMERICAN HOLT AT:
781-440-9993 • sales@americanholt.com • www.americanholt.com

121L Seamer

AFTER MARKET PARTS FOR:

FILLER DRIVE REBUILD KIT

121L-FILLERDRIVE-RKAH



NOTICE: All parts offered by American Holt are manufactured by or for American Holt and not by or for the Original Equipment Manufacturer. Part numbers shown that are those of the Original Equipment Manufacturer, if any, are used for reference purposes only. American Holt is an independent supplier of quality replacement parts having no affiliation with any Original Equipment Manufacturer. All prices are subject to change without notice. Copyright ©2022 American Holt Corp. All rights reserved.

IN-STOCK AND READY TO SHIP.

FILLER DRIVE REBUILD KIT - 121L-FILLERDRIVE-RKAH

ITEM NO.	PART NO.	DESCRIPTION	QTY
1	15L823AH	Filler Drive Bevel Gear	1
2	53L816-5AH	Shim .005" Thick	1
3	53L816-10AH	Shim .010" Thick	1
4	53L816-30AH	Shim .030" Thick	1
5	60L817AH	Filler Drive Shaft Retainer	1
6	82L823AH	Filler Drive Bevel Pinion	1
7	112L853AH	Spacer 1.500 X 1.750 X 0.562	2
8	61L815AH	Oil Seal	2
9	124L816AH	Tapered Roller Bearing Cone	2
10	125L816AH	Tapere Roller Bearing Cup	2
11	219L844AH	Filler Drive Shaft	1
12	115L853AH	Spacer	1
13	129L816-3AH	Shim .003" Thick	5
14	129L816-5AH	Shim .005" Thick	5
15	129L816-10AH	Shim .010" Thick	5
16	129L816-32AH	Shim .032" Thick	5
17	136L853AH	Filler Drive Intermediate Shaft Collar	1

* - Item made-to-order N/A - Item is not currently offered by American Holt

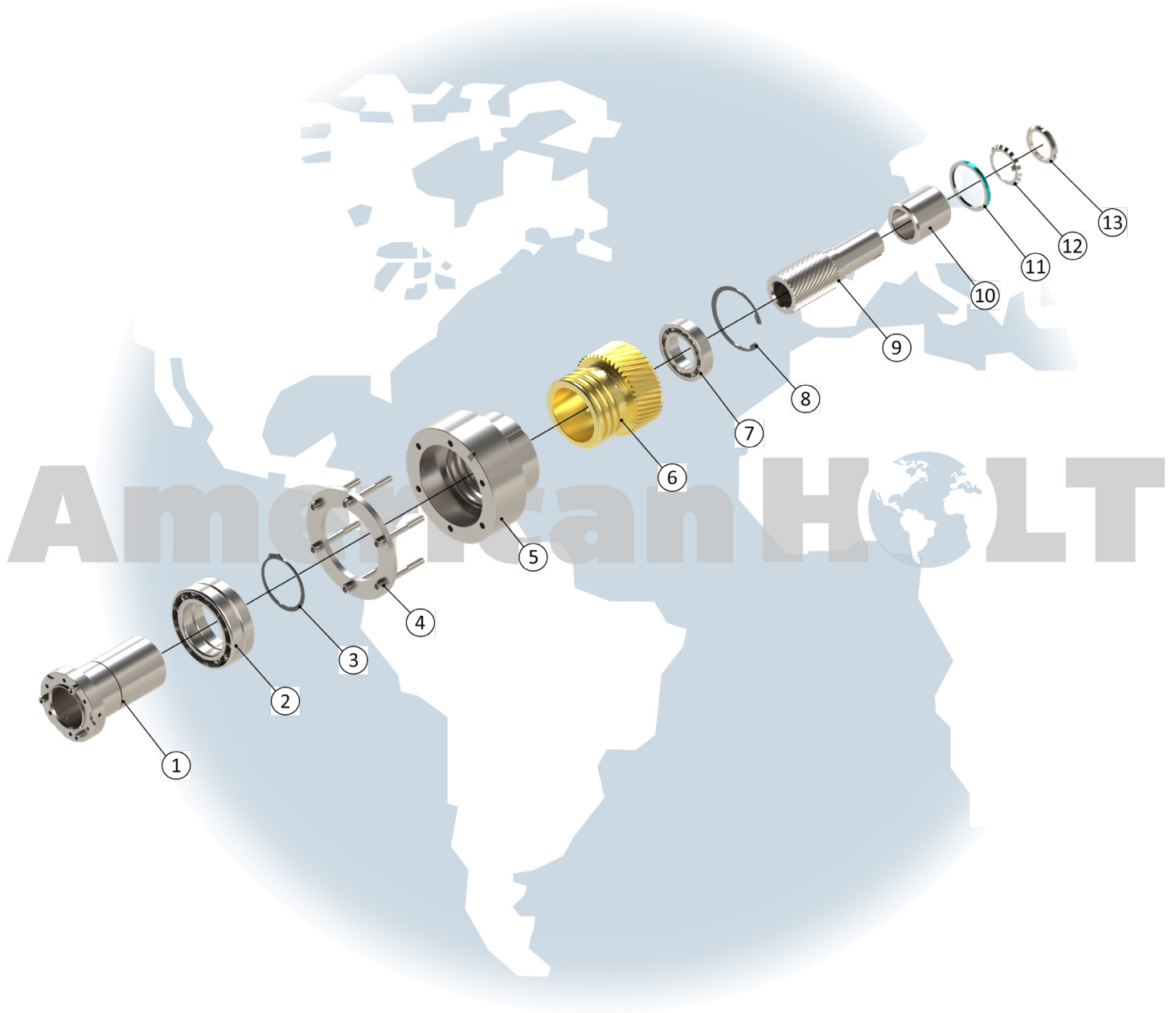
FOR MORE INFORMATION, CONTACT AMERICAN HOLT AT:
781-440-9993 • sales@americanholt.com • www.americanholt.com

121L Seamer

AFTER MARKET PARTS FOR:

IN-MOTION TIMER REBUILD KIT

121L-IN-MOTION-TIMER-RKAH



NOTICE: All parts offered by American Holt are manufactured by or for American Holt and not by or for the Original Equipment Manufacturer. Part numbers shown that are those of the Original Equipment Manufacturer, if any, are used for reference purposes only. American Holt is an independent supplier of quality replacement parts having no affiliation with any Original Equipment Manufacturer. All prices are subject to change without notice. Copyright ©2022 American Holt Corp. All rights reserved.

IN-STOCK AND READY TO SHIP.

IN-MOTION TIMER REBUILD KIT - 121L-IN-MOTION-TIMER-RKAH

ITEM NO.	PART NO.	DESCRIPTION	QTY
1	149L823AH	Outer Drive Sleeve (INCLUDES HARDWARE)	1
2	25L416AH	Ball Bearing Pair	1
3	28L617AH	Retaining Ring	1
4	88L817AH	Adjustment Sleeve Bearing (INCLUDES HARDWARE)	1
5	72L897AH	Adjusting Sleeve	1
6	148L823AH	Adjusting Sleeve	1
7	54S816AH	Ball Bearing	1
8	9L617AH	Retaining Ring	1
9	178L823AH	Inner Drive Sleeve	1
10	361L853AH	Spacer	1
11	106L815AH	Oil Seal	1
12	217L816AH	Bearing Lockwasher	1
13	216L816AH	Bearing Locknut	1

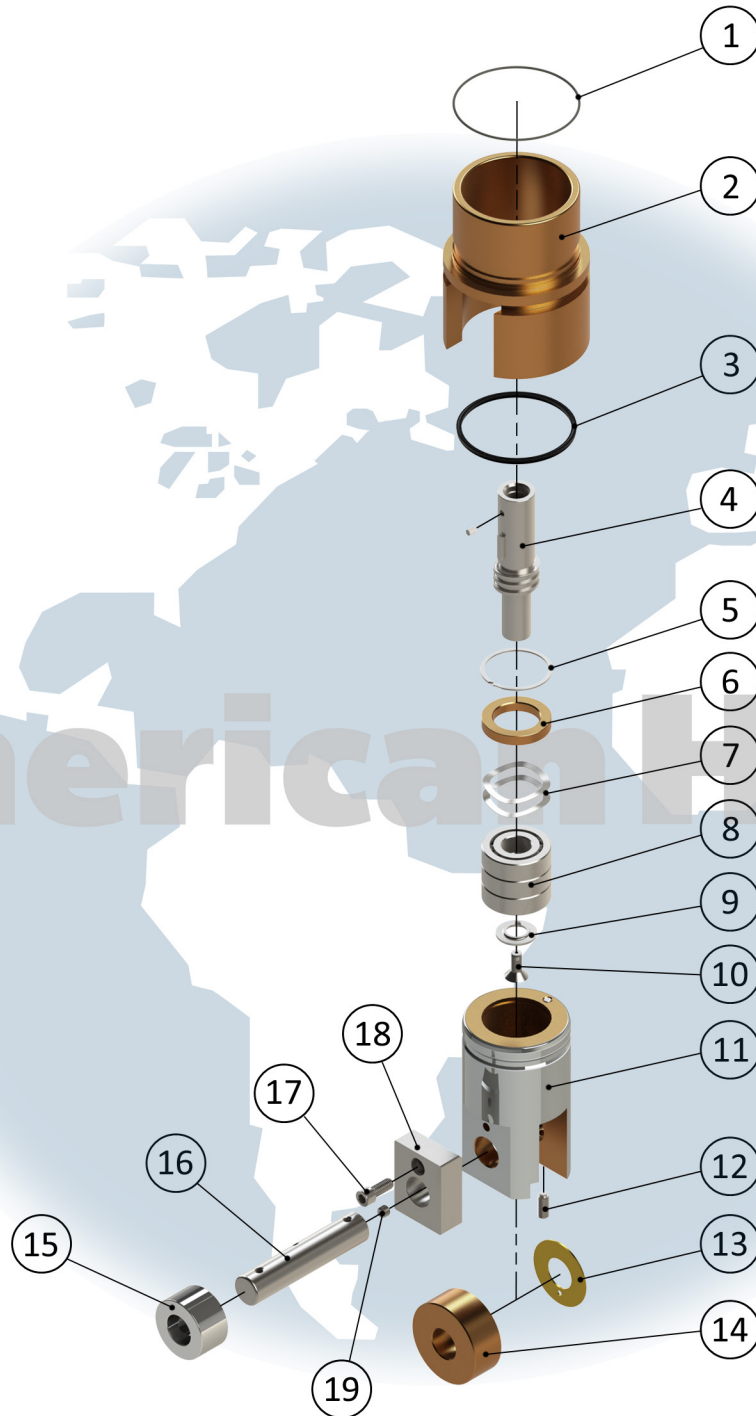
* - Item made-to-order N/A - Item is not currently offered by American Holt

FOR MORE INFORMATION, CONTACT AMERICAN HOLT AT:
781-440-9993 • sales@americanholt.com • www.americanholt.com

121L Seamer

AFTER MARKET PARTS FOR:

LOWER CHUCK - BOTTOM - 11L800AH



NOTICE: All parts offered by American Holt are manufactured by or for American Holt and not by or for the Original Equipment Manufacturer. Part numbers shown that are those of the Original Equipment Manufacturer, if any, are used for reference purposes only. American Holt is an independent supplier of quality replacement parts having no affiliation with any Original Equipment Manufacturer. All prices are subject to change without notice. Copyright ©2022 American Holt Corp. All rights reserved.

IN-STOCK AND READY TO SHIP.

LOWER CHUCK - BOTTOM - 11L800AH

ITEM NO.	PART NO.	DESCRIPTION	QTY
1	26L815AH	#042 O-Ring	1
2	46L827AH	Lower Chuck Slide	1
3	71L815AH	Polypak Seal	1
4	34L827AH	Lower Chuck Mandrel Assembly (INCLUDES HARDWARE)	1
4.1	56L828AH	Dowel Pin 0.1875 X 0.250	1
5	**21L817AH	Snap Ring	1
6	26L827AH	Lower Chuck Pump Ring	1
7	115L816AH	Wavy Spring Washer	2
8	18L816AH	Ball Bearing Set of 3	1
9	**78L641AH	Seaming Roll Retainer	1
10	**29L826AH	Seaming Roll Retainer Screw	1
11	45L827AH	Lower Chuck Slide Bottom Assembly (INCLUDES HARDWARE)	1
12	SHSS-DG-0.312-18X0.75-NYL	Screw	1
13	93L816AH	Washer	1
14	25829AH	Lower Chuck Cam Roll	1
15	16P346AH	Lower Chuck Return Cam Roll	1
16	5L829AH	Lower Chuck Cam Roll Pin	1
17	SHCS-SS-0.312-18X0.75-NYL	Screw	1
18	13L827AH	Lower Chuck Slide Block Bottom	1
19	57L826AH (NPT-PLUG-0.125-27)	Pipe Plug	1

**Sold in quantities of 12.

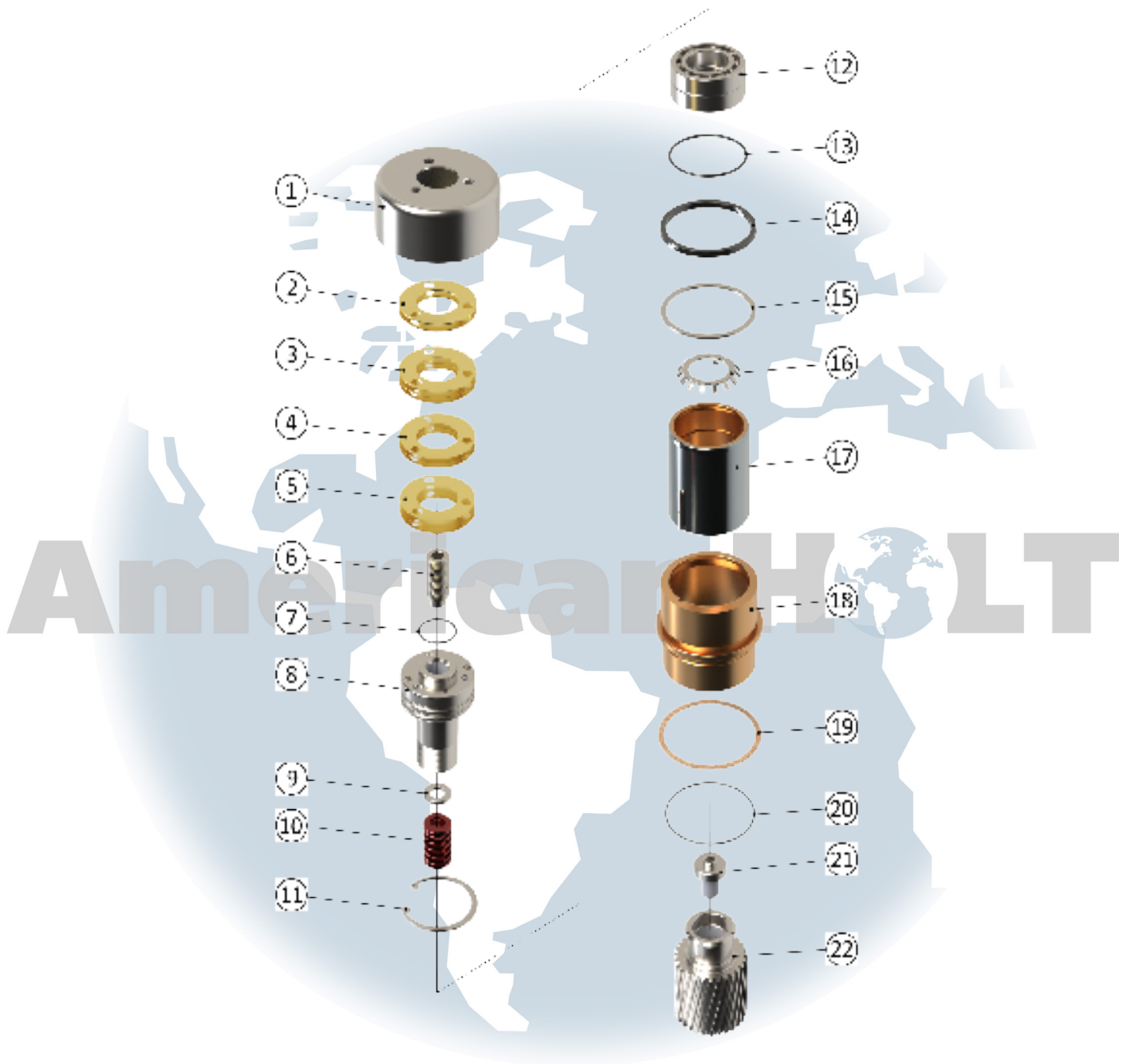
* - Item made-to-order N/A - Item is not currently offered by American Holt

FOR MORE INFORMATION, CONTACT AMERICAN HOLT AT:
781-440-9993 • sales@americanholt.com • www.americanholt.com

121L Seamer

AFTER MARKET PARTS FOR:

LOWER CHUCK - TOP - 13L800AH



NOTICE: All parts offered by American Holt are manufactured by or for American Holt and not by or for the Original Equipment Manufacturer. Part numbers shown that are those of the Original Equipment Manufacturer, if any, are used for reference purposes only. American Holt is an independent supplier of quality replacement parts having no affiliation with any Original Equipment Manufacturer. All prices are subject to change without notice. Copyright ©2022 American Holt Corp. All rights reserved.

IN-STOCK AND READY TO SHIP.

LOWER CHUCK - TOP - 13L800AH

ITEM NO.	PART NO.	DESCRIPTION	QTY
1	9L827AH	Lower Chuck Slide Shield - Top	1
2	22L816-30AH	Lower Chuck Shim .030" Thick	2
3	22L816-10AH	Lower Chuck Shim .010" Thick	3
4	22L816-5AH	Lower Chuck Shim .005" Thick	3
5	22L816-2AH	Lower Chuck Shim .002" Thick	3
6	8L826AH	Lower Chuck Spring Screw	1
7	83L815AH	#024 O-Ring	1
8	23L827AH	Lower Chuck Mandrel - Top	1
9	21L816AH	Lower Chuck Spring Washer	1
10	8L840AH	Lower Chuck Spring Medium - Red	1
11	**41L817AH	Snap Ring - Nickel Plated	1
12	116L816AH	Ball Bearing Pair	1
13	**44L815AH	#143 O-Ring	1
14	70L815AH	Polypak Seal	1
15	73L815AH	Back-Up Ring	1
16	4P116AH	Bearing Lockwasher	1
17	50L827AH	Lower Chuck Slide Assembly	1
17.1	32L847AH	Woodruff Key	1
18	8L827AH	Lower Chuck Slide Bearing	1
19	69H615AH	Lower Chuck Gasket	1
20	**26L815AH	#042 O-Ring	1
21	9L826AH	Lower Chuck Bottom Mandrel Screw	1
22	27L823AH	Lower Chuck Gear	1

****Sold in quantities of 12.**

12L800AH	7L840AH	Lower Chuck Spring Light - Blue
14L800AH	9L840AH	Lower Chuck Spring - Gold
15L800AH	10L840AH	Lower Chuck Spring - Green

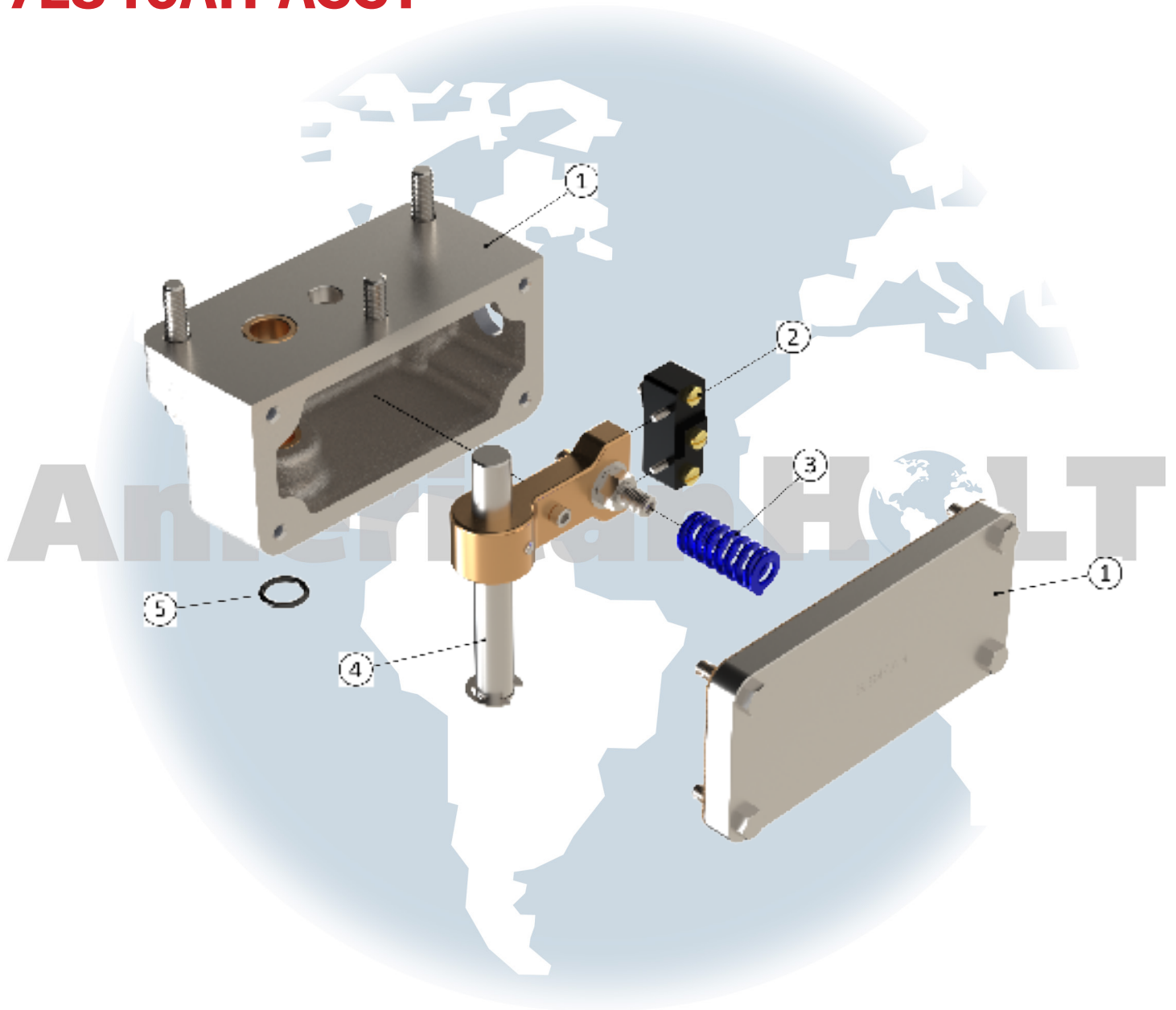
* - Item made-to-order N/A - Item is not currently offered by American Holt

FOR MORE INFORMATION, CONTACT AMERICAN HOLT AT:
781-440-9993 • sales@americanholt.com • www.americanholt.com

121L Seamer

AFTER MARKET PARTS FOR:

DISCHARGE RAIL SHAFT & SWITCH 7L846AH-ASSY



NOTICE: All parts offered by American Holt are manufactured by or for American Holt and not by or for the Original Equipment Manufacturer. Part numbers shown that are those of the Original Equipment Manufacturer, if any, are used for reference purposes only. American Holt is an independent supplier of quality replacement parts having no affiliation with any Original Equipment Manufacturer. All prices are subject to change without notice. Copyright ©2022 American Holt Corp. All rights reserved.

DISCHARGE RAIL SHAFT & SWITCH - 7L846AH-ASSY

ITEM NO.	PART NO.	DESCRIPTION	QTY
1	7L846AH	Discharge Jam Rail Box Housing (INCLUDES HARDWARE)	1
1.1	8L846AH	Cover (INCLUDES HARDWARE)	1
1.1.1	58L815AH	Discharge Switch Cover Box Gasket	1
1.2	23L816AH	Plain Sleeve Bushing - Oilite	1
1.3	24L816AH	Plain Sleeve Bushing - Oilite	1
2	15L633AH	Micro Switch (INCLUDES HARDWARE)	1
3	4L840AH	Compression Spring	1
4	6L846AH-11L844AH-ASSYAH	Discharge Rail Shaft Assembly (INCLUDES HARDWARE)	1
**4.1	11L844AH	Discharge Rail Shaft	1
4.2	1L617AH	Retaining Ring - Nickel Plated	1
**4.3	6L846AH	Discharge Rail Switch Lever	1
5	57L815AH	#208 O-Ring	1

**Components not for individual sale.

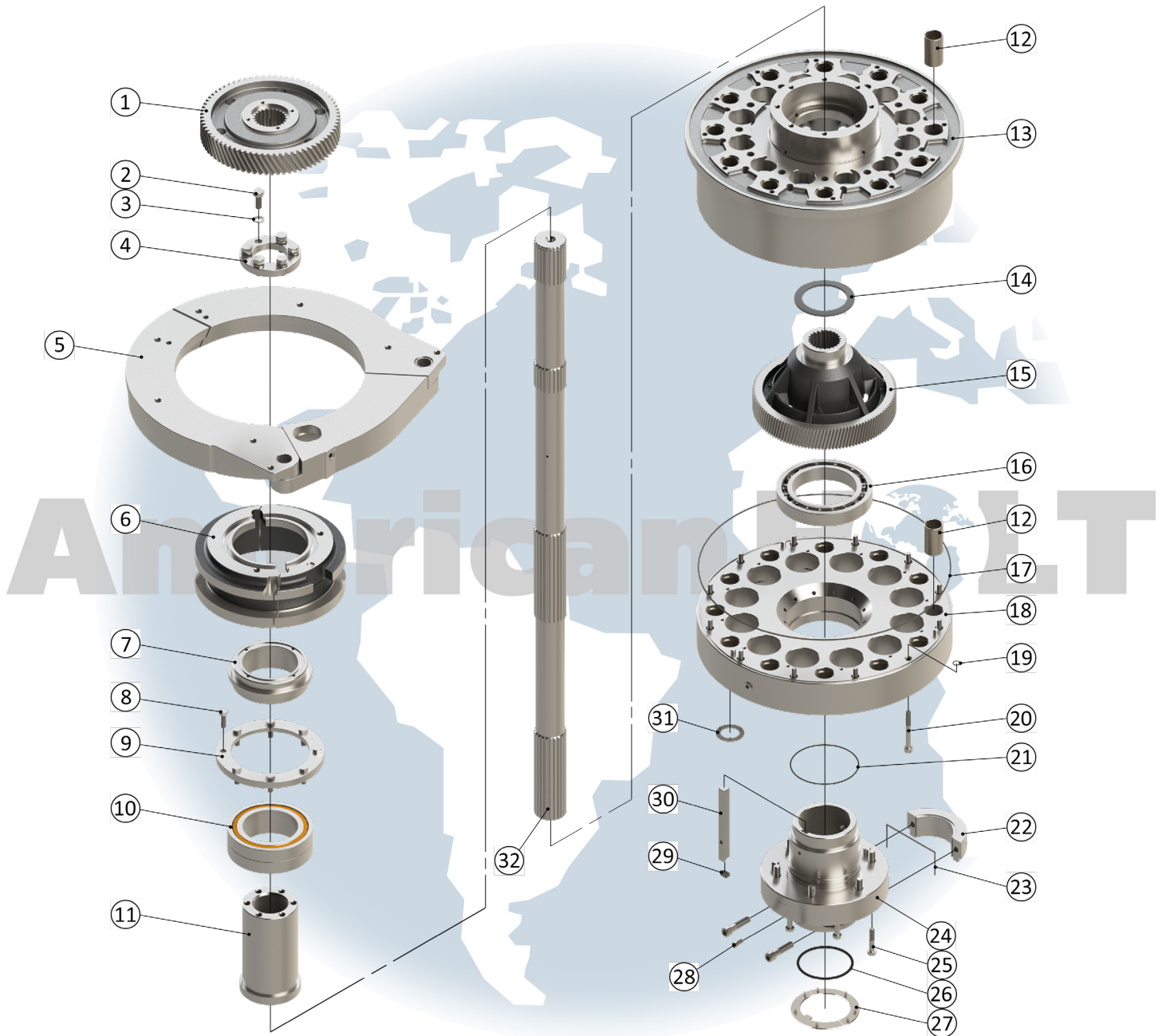
* - Item made-to-order N/A - Item is not currently offered by American Holt

FOR MORE INFORMATION, CONTACT AMERICAN HOLT AT:
781-440-9993 • sales@americanholt.com • www.americanholt.com

121L Seamer

AFTER MARKET PARTS FOR:

UPPER TURRET



NOTICE: All parts offered by American Holt are manufactured by or for American Holt and not by or for the Original Equipment Manufacturer. Part numbers shown that are those of the Original Equipment Manufacturer, if any, are used for reference purposes only. American Holt is an independent supplier of quality replacement parts having no affiliation with any Original Equipment Manufacturer. All prices are subject to change without notice. Copyright ©2022 American Holt Corp. All rights reserved.

IN-STOCK AND READY TO SHIP.

UPPER TURRET

ITEM NO.	PART NO.	DESCRIPTION	QTY
1	33L823AH	Main Drive Gear	1
2	HHBOLT-0.625-11X1.50	Screw	6
3	WASHSPLTLOCK-SS-0.625	Washer	6
4	32L817AH	Upper Turret Bearing Holder Clamp Ring	1
5	**23-24L820AH	Seaming Cam	1
5.1	**23L820AH	Seaming Cam 1st Operation	1
5.2	**24L820AH	Seaming Cam 2nd Operation	1
5.3	30L816AH	Liner	2
6	L820 (83L820AH SHOWN)	Knockout Cam	1
7	26L853AH	Upper Turret Bearing Spacer	1
8	SHCS-SS-0.50-13X1.5-NYL	Screw	8
9	30L817AH	Upper Turret Bearing Retainer	1
10	17L816AH	Ball Bearing	1
11	31L817AH	Upper Turret Bearing Holder	1
12	63L816AH	Iron Bushing	24
	139L816AH (Option)	Oilite Bushing	
	*140L816AH (Option)	Oilite Bushing (OLD STYLE TURRET)	
13	***4L841AH (Sold as assembly - see below)	Upper Turret Top	1
14	95L816AH	Thrust Washer	1
15	32L823AH	Seaming Spindle Drive Gear	1
16	29L816AH	Ball Bearing	1
17	59L815AH	O-Ring	1
18	***3L841AH (Sold as assembly - see below)	Upper Turret Bottom	1
19	11L615AH	#113 O-Ring	12
20	SHCS-SS-0.50-13X4.0	Screw	12
21	29L815AH	#259 O-Ring	1
22	*6L841AH	Upper Turret Hub Cap	1
23	98L815AH	Upper Turret Hub Cap Seal	1
24	*5L841AH	Upper Turret Hub (INCLUDES HARDWARE)	1
25	HHBOLT-SS-0.50-13X2.5	Screw	6
26	16L815AH	#427 O-Ring	1
27	69L817AH	Upper Turret Hub Seal Retainer (INCLUDES HARDWARE)	1
28	SHCS-SS-0.375-16X0.75	Screw	1
29	17L815AH	Keyway Seal	1
30	31L847AH	Upper Turret Hub Key	1
31	182L816AH	Washer (INCLUDES HARDWARE)	12
32	23L844AH	Main Drive Shaft	1

**Sold as assembly - components not available for individual sale.

***Upper Turret Top & Bottom made-to-order and sold as assembly 3L841AH-4L841AH-ASSYAH

* - Item made-to-order N/A - Item is not currently offered by American Holt

FOR MORE INFORMATION, CONTACT AMERICAN HOLT AT:
781-440-9993 • sales@americanholt.com • www.americanholt.com

121L Seamer

AFTER MARKET PARTS FOR:

UPPER TURRET HOUSING

Shown are the components currently offered by American Holt



NOTICE: All parts offered by American Holt are manufactured by or for American Holt and not by or for the Original Equipment Manufacturer. Part numbers shown that are those of the Original Equipment Manufacturer, if any, are used for reference purposes only. American Holt is an independent supplier of quality replacement parts having no affiliation with any Original Equipment Manufacturer. All prices are subject to change without notice. Copyright ©2022 American Holt Corp. All rights reserved.

IN-STOCK AND READY TO SHIP.

UPPER TURRET HOUSING

Item No.	Part No.	Description	Qty
1	3L617AH	Retaining Ring - SS	11
2	5L816AH	Flexloc Thin Nut	3
3	30L823AH	Elevator Worm Wheel 30T 8P	3
4	7L816AH	Ball Bearing	3
5	9L815AH	Oil Seal	6
6	163L816AH	Column Bushing 3.441 X 3.937 X 6.188	3
7	12L615AH	#217 O-Ring	2
8	52L816-10AH	Seaming Spindle Shim .010 Thick	4
9	52L816-5AH	Seaming Spindle Shim .005 Thick	2
10	8L815AH	Oil Seal	2
11	193L853AH	Sleeve	1
12	59P916AH	Ball Bearing	1
13	124L844AH	Feed Turret Bearing Stud	1

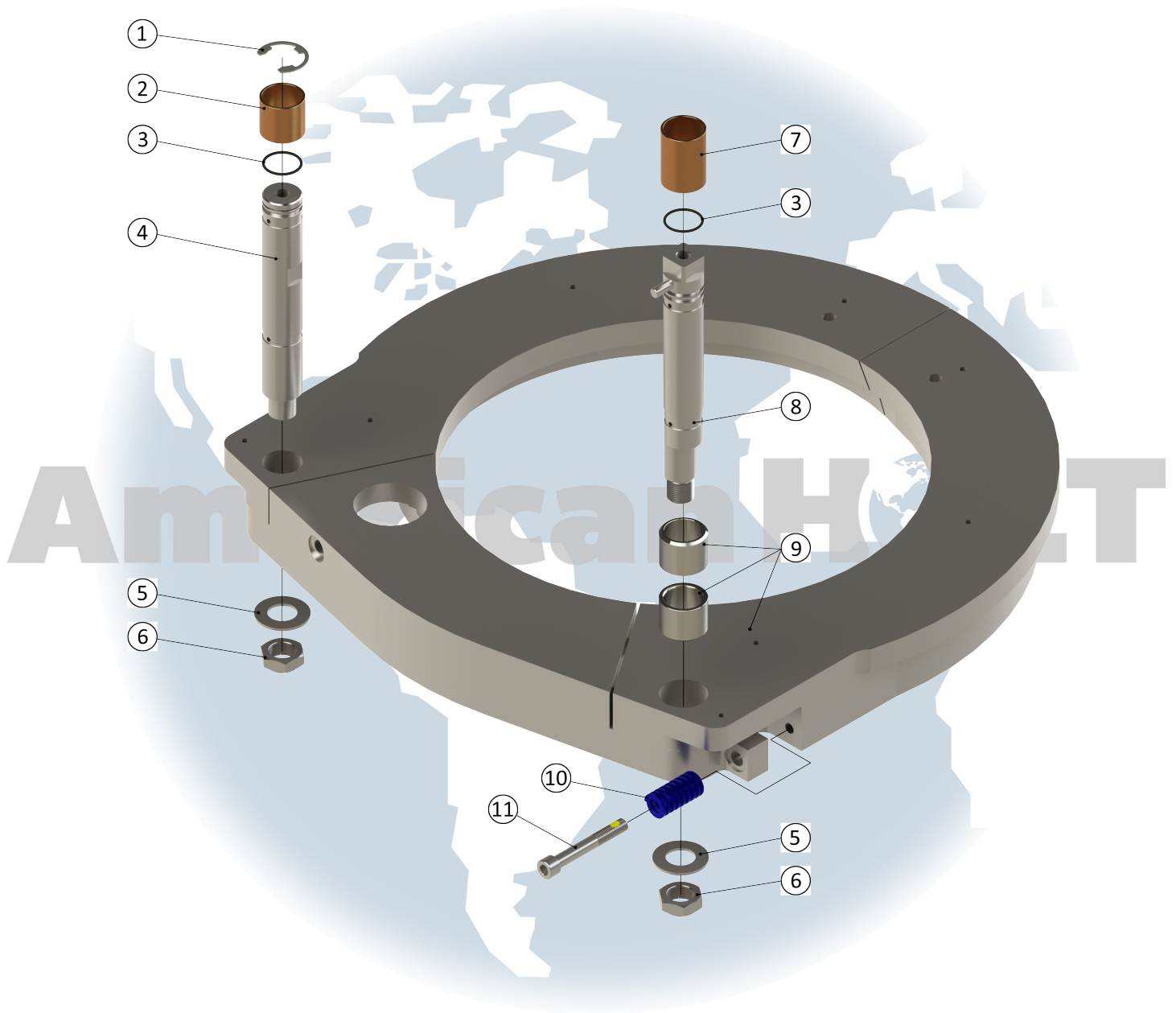
* - Item made-to-order N/A - Item is not currently offered by American Holt

FOR MORE INFORMATION, CONTACT AMERICAN HOLT AT:
781-440-9993 • sales@americanholt.com • www.americanholt.com

121L Seamer

AFTER MARKET PARTS FOR:

SEAMING CAM - 23-24L820-ASSYAH



NOTICE: All parts offered by American Holt are manufactured by or for American Holt and not by or for the Original Equipment Manufacturer. Part numbers shown that are those of the Original Equipment Manufacturer, if any, are used for reference purposes only. American Holt is an independent supplier of quality replacement parts having no affiliation with any Original Equipment Manufacturer. All prices are subject to change without notice. Copyright ©2022 American Holt Corp. All rights reserved.

IN-STOCK AND READY TO SHIP.

SEAMING CAM - 23-24L820-ASSYAH

ITEM NO.	PART NO.	DESCRIPTION	QTY
1	4L617AH	Retaining Ring - Nickel Plated	1
2	150L816AH	Oilite Bronze Bushing	1
3	36L815AH	#124 O-Ring	2
4	51L828AH	Seaming Cam Anchor Pin	1
5	WASHFLAT-SS-1.06X2.00X0.12	Washer	2
6	5L816AH	Flexloc Thin Nut	2
7	66P416AH	Oilite Bushing	1
8	46L828AH	Seaming Cam Eccentric Pin (INCLUDES HARDWARE)	1
9	23-24L820AH	Seaming Cam	1
9.1	23L820AH	Seaming Cam 1st Operaion	1
9.2	24L840AH	Seaming Cam 2nd Operation	1
9.3	30L816AH	Liner	2
10	9P140AH	Lower Chuck Spring - Light Duty 232 lbs	1
11	SHCS-SS-0.50-13X3.0	18-8 SS Socket Head Screw, 1/2"-13 Thread Size, 3" Long	1

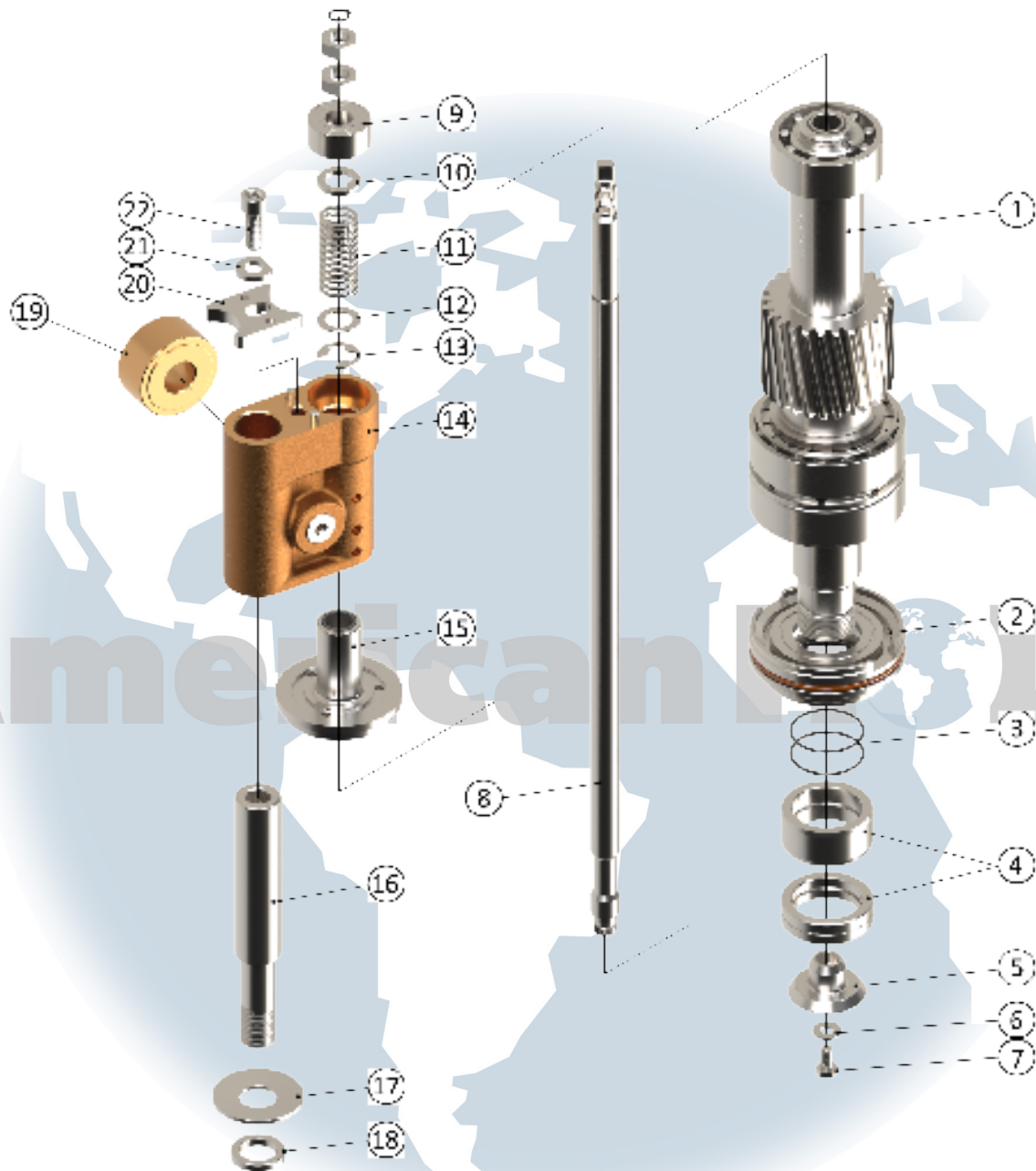
* - Item made-to-order N/A - Item is not currently offered by American Holt

FOR MORE INFORMATION, CONTACT AMERICAN HOLT AT:
781-440-9993 • sales@americanholt.com • www.americanholt.com

121L Seamer

AFTER MARKET PARTS FOR:

SEAMING SPINDLE WITH KNOCKOUT ROD



NOTICE: All parts offered by American Holt are manufactured by or for American Holt and not by or for the Original Equipment Manufacturer. Part numbers shown that are those of the Original Equipment Manufacturer, if any, are used for reference purposes only. American Holt is an independent supplier of quality replacement parts having no affiliation with any Original Equipment Manufacturer. All prices are subject to change without notice. Copyright ©2022 American Holt Corp. All rights reserved.

IN-STOCK AND READY TO SHIP.

SEAMING SPINDLE WITH KNOCKOUT ROD

ITEM NO.	PART NO.	DESCRIPTION	QTY
1	18L800AH (see pages 50 & 51)	Seaming Spindle Sub-Assembly	1
2	8L800AH or 9L800AH (see pages 52 - 55)	Face Seal and Rotor	1
3	28L815AH	#029 O-Ring	2
4	503L853AH	Seal Sleeve Top	1
	504L853AH	Seal Sleeve Bottom - 202 and Under	1
	505L853AH	Seal Sleeve Bottom - 204 and Over	1
5	25L841AH (SHOWN) / 54L841AH (SS)	Knockout Pad	1
6	WASHFLAT-SS-0.28X0.62X0.05	Washer	1
7	13L826AH	Long-Lok Hex Head Capscrew	1
8	20L844AH	Knockout Rod (INCLUDES HARDWARE)	1
8.1	82L817AH	Snap Ring - External	1
9	15L816AH	Ball Bearing	1
10	49L816AH	Keyed Washer	1
11	5L840AH	Knockout Cam Rod Cushion Spring	1
12	136L816AH	Washer	1
13	1L617AH	Retaining Ring - Nickel Plated	1
14	57L841AH	Knockout Carrier (INCLUDES HARDWARE)	1
14.1	71L826AH	Knockout Cam Roll Pin Set Screw	1
14.2	3L829AH	Pin	1
	129L816-3AH (NOT SHOWN)	Shim .003" Thick	3
	129L816-5AH (NOT SHOWN)	Shim .005" Thick	3
	129L816-10AH (NOT SHOWN)	Shim .010" Thick	3
N/A	L636AH	Seaming Chuck	1
15	64L841AH	Knockout Carrier Guide Flange	1
15.1	77L815AH	Wiper Ring	1
16	14L826AH	Knockout Carrier Guide Pin	1
17	37L816AH	Belleville Washer	1
18	29L853AH	Knockout Carrier Guide Pin Spacer	1
19	12L629AH	Knockout Cam Roll	1
20	34L817AH	Knockout Rod Bearing Retainer	1
21	WASHFLAT-SS-0.406X0.812X0.12	Washer	1
22	SHCS-SS-0.375-16X0.875-NYL	Screw	1

SPARE PARTS - OPTIONAL (NOT SHOWN)		
63L826AH	Hex Socket Flat HD Screw Nylok	1/4-28 X 5/8"
123L816AH	Knockout Pad Retaining Washer	Metal 200 food can.
25L841AH	Knockout Pad	
62L841AH		

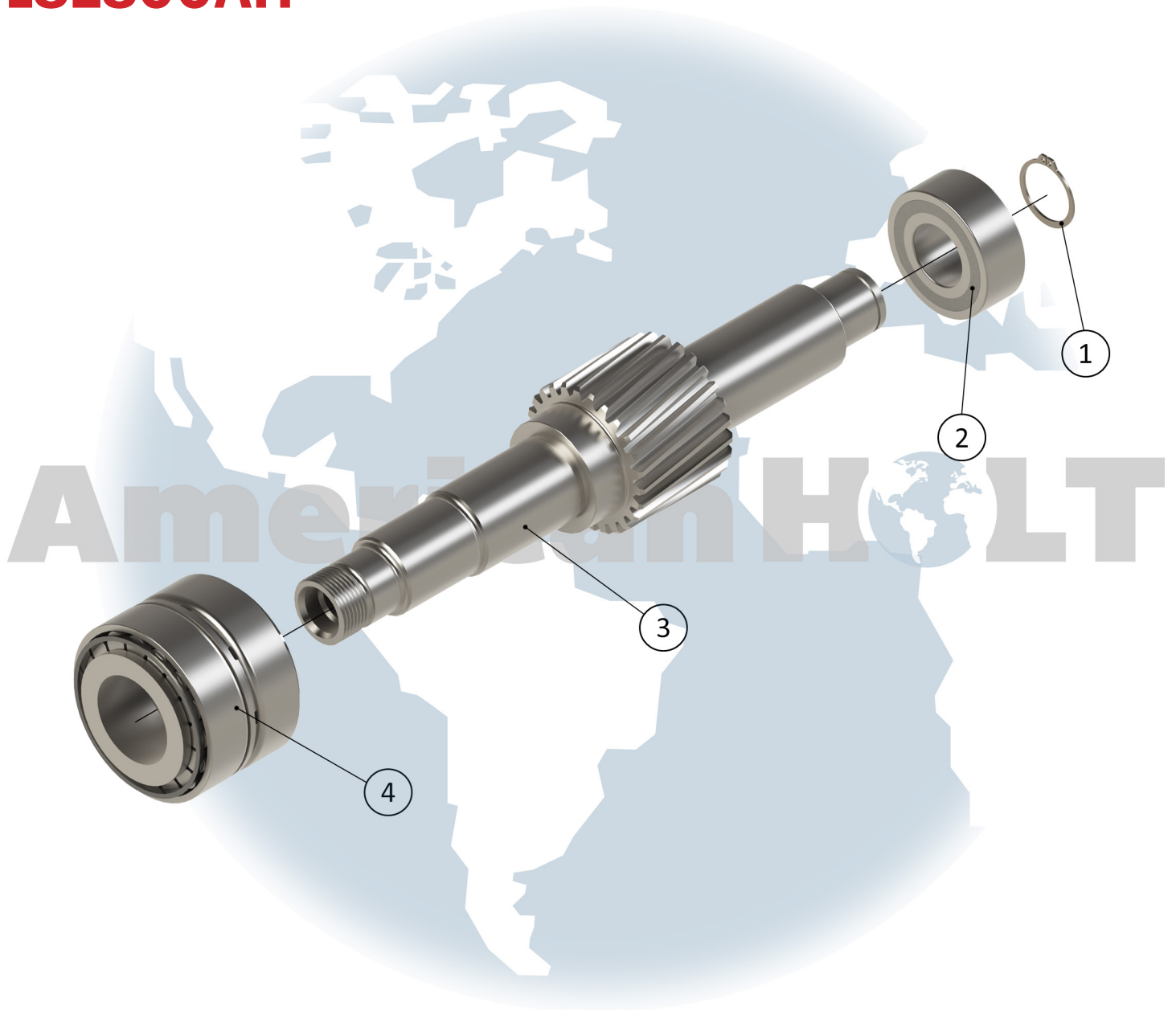
* - Item made-to-order N/A - Item is not currently offered by American Holt

FOR MORE INFORMATION, CONTACT AMERICAN HOLT AT:
781-440-9993 • sales@americanholt.com • www.americanholt.com

121L Seamer

AFTER MARKET PARTS FOR:

SEAMING SPINDLE SUB-ASSEMBLY - 18L800AH



NOTICE: All parts offered by American Holt are manufactured by or for American Holt and not by or for the Original Equipment Manufacturer. Part numbers shown that are those of the Original Equipment Manufacturer, if any, are used for reference purposes only. American Holt is an independent supplier of quality replacement parts having no affiliation with any Original Equipment Manufacturer. All prices are subject to change without notice. Copyright ©2022 American Holt Corp. All rights reserved.

IN-STOCK AND READY TO SHIP.

SEAMING SPINDLE SUB-ASSEMBLY - 18L800AH

ITEM NO.	PART NO.	DESCRIPTION	QTY
1	1P117AH	Retaining Ring - Nickel Plated	1
2	34L816AH	Ball Bearing	1
3	232L844AH	Seaming Spindle	1
3.1	48L816AH	Oilite Bushing	1
3.2	229L816AH	Oilite Bushing	1
4	80H616AH	Roller Bearing	1

Recommended to order (1x) 503L853AH Seal Sleeve – Top and (2x) 28L815AH #029 O-Ring per spindle.

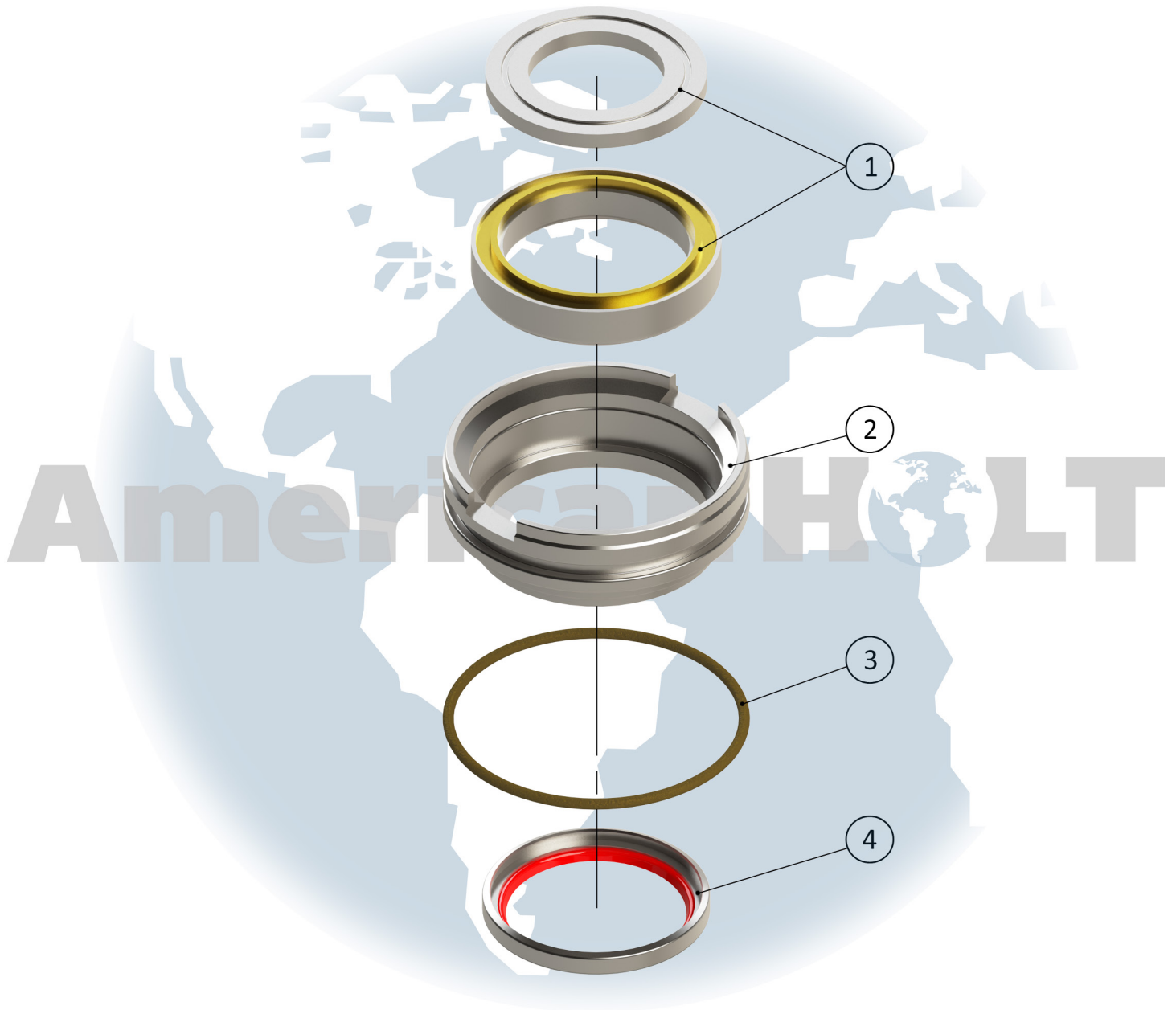
* - Item made-to-order N/A - Item is not currently offered by American Holt

FOR MORE INFORMATION, CONTACT AMERICAN HOLT AT:
781-440-9993 • sales@americanholt.com • www.americanholt.com

121L Seamer

AFTER MARKET PARTS FOR:

FACE SEAL & ROTOR - 8L800AH



NOTICE: All parts offered by American Holt are manufactured by or for American Holt and not by or for the Original Equipment Manufacturer. Part numbers shown that are those of the Original Equipment Manufacturer, if any, are used for reference purposes only. American Holt is an independent supplier of quality replacement parts having no affiliation with any Original Equipment Manufacturer. All prices are subject to change without notice. Copyright ©2022 American Holt Corp. All rights reserved.

IN-STOCK AND READY TO SHIP.

FACE SEAL & ROTOR - 8L800AH

Sold assembled as 8L800AH

ITEM NO.	PART NO.	DESCRIPTION	QTY
1	33L815AH	Face Seal and Rotor	1
2	111L817AH	Seaming Spindle Lower Bearing Retainer	1
3	**24L815AH	# 235 O-Ring	1
4	133L815AH	Oil Seal Single Lip	1

****Sold in increments of 12 if purchased separately.**

* - Item made-to-order N/A - Item is not currently offered by American Holt

FOR MORE INFORMATION, CONTACT AMERICAN HOLT AT:
781-440-9993 • sales@americanholt.com • www.americanholt.com

121L Seamer

AFTER MARKET PARTS FOR:

FACE SEAL & ROTOR - 9L800AH



NOTICE: All parts offered by American Holt are manufactured by or for American Holt and not by or for the Original Equipment Manufacturer. Part numbers shown that are those of the Original Equipment Manufacturer, if any, are used for reference purposes only. American Holt is an independent supplier of quality replacement parts having no affiliation with any Original Equipment Manufacturer. All prices are subject to change without notice. Copyright ©2022 American Holt Corp. All rights reserved.

IN-STOCK AND READY TO SHIP.

FACE SEAL & ROTOR - 9L800AH

Sold assembled as 9L800AH

ITEM NO.	PART NO.	DESCRIPTION	QTY
1	33L815AH	Face Seal and Rotor	1
2	111L817AH	Seaming Spindle Lower Bearing Retainer	1
3	**24L815AH	#235 O-Ring	1

****Sold in increments of 12 if purchased separately.**

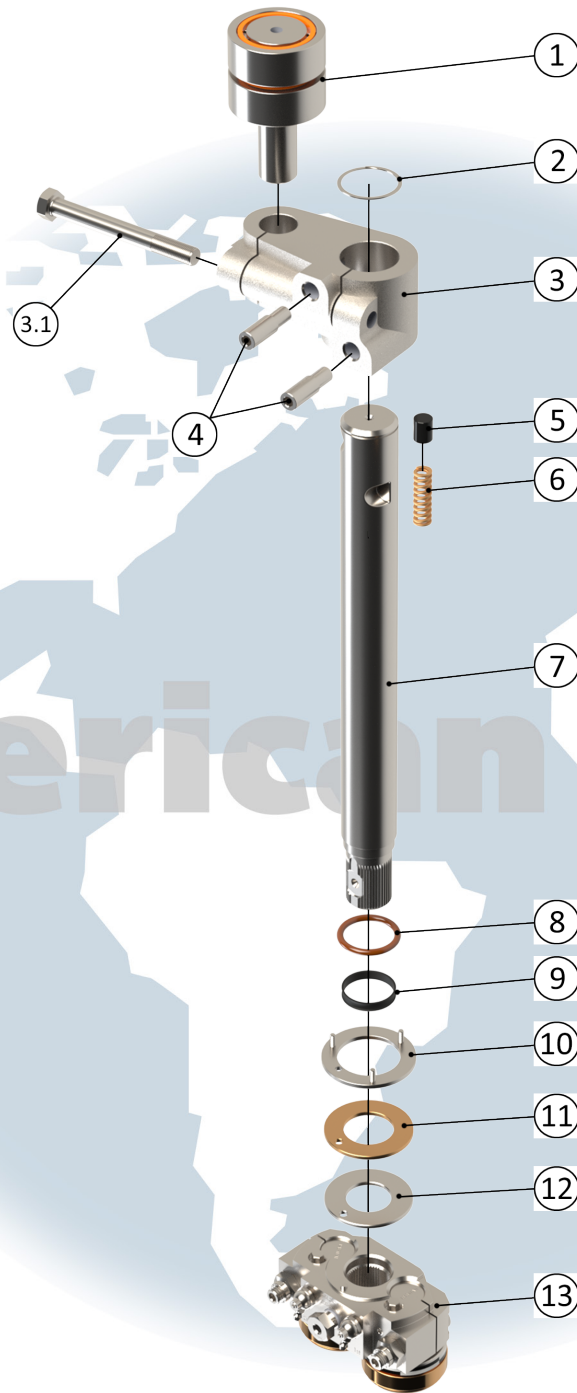
* - Item made-to-order N/A - Item is not currently offered by American Holt

FOR MORE INFORMATION, CONTACT AMERICAN HOLT AT:
781-440-9993 • sales@americanholt.com • www.americanholt.com

121L Seamer

AFTER MARKET PARTS FOR:

SEAMING LEVER



NOTICE: All parts offered by American Holt are manufactured by or for American Holt and not by or for the Original Equipment Manufacturer. Part numbers shown that are those of the Original Equipment Manufacturer, if any, are used for reference purposes only. American Holt is an independent supplier of quality replacement parts having no affiliation with any Original Equipment Manufacturer. All prices are subject to change without notice. Copyright ©2022 American Holt Corp. All rights reserved.

IN-STOCK AND READY TO SHIP.

SEAMING LEVER

ITEM NO.	PART NO.	DESCRIPTION	QTY
1	239L816AH	Dual Roller Cam Follower - Stud Type	1
2	1L817AH	Snap Ring	1
3	12L841AH	Seaming Cam Lever	1
3.1	HHBOLT-0.50-20X4.50	Hex Head Bolt	1
4	15L826AH	Seaming Cam Lever Adjustment Screw	2
5	9L828AH	Seaming Cam Lever Lift Plug	1
6	6L840AH	Seaming Cam Lever Lift Spring	1
7	97L844AH	Seaming Lever Shaft	1
8	**25L815AH	#324 O-Ring	1
9	**64L815AH	Teflon Slipper Seal	1
10	182L816AH	Washer (INCLUDES HARDWARE)	1
11	137L816AH	Seaming Lever Shaft Washer	1
12	42L816AH	Washer	1
13	1L200AH	Seaming Lever Sub-Assembly	1

****Sold in increments of 12**

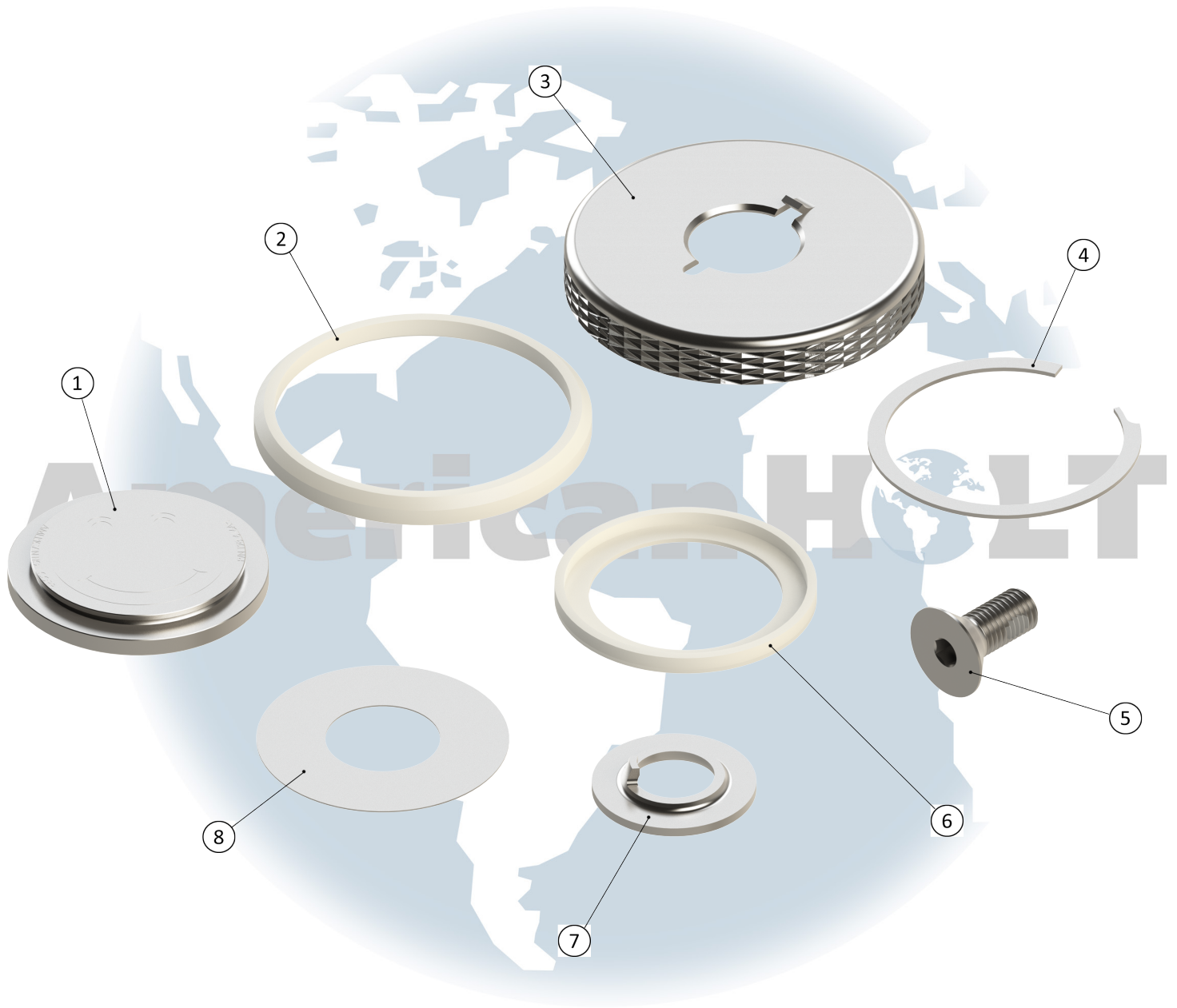
* - Item made-to-order N/A - Item is not currently offered by American Holt

FOR MORE INFORMATION, CONTACT AMERICAN HOLT AT:
781-440-9993 • sales@americanholt.com • www.americanholt.com

121L Seamer

AFTER MARKET PARTS FOR:

SEAMING ROLL KIT – 13ROLLKIT8AH



NOTICE: All parts offered by American Holt are manufactured by or for American Holt and not by or for the Original Equipment Manufacturer. Part numbers shown that are those of the Original Equipment Manufacturer, if any, are used for reference purposes only. American Holt is an independent supplier of quality replacement parts having no affiliation with any Original Equipment Manufacturer. All prices are subject to change without notice. Copyright ©2022 American Holt Corp. All rights reserved.

IN-STOCK AND READY TO SHIP.

SEAMING ROLL KIT – 13ROLLAKIT8AH

ITEM NO.	PART NO.	DESCRIPTION	QTY
1	198L616AH	Seaming Roll Bottom Closure	1
2	28L615AH	Oil Seal PE	1
3	212L616AH	Seaming Roll Seal/Shield Assembly	1
4	48L617AH (sold in increments of 6)	Snap Ring	1
5	29L826AH (sold in increments of 12)	Seaming Roll Retainer Screw	1
6	36L615AH	Retaining Seal	1
7	78L641AH (sold in increments of 12)	Seaming Roll Retainer	1
8	292L616-10AH	Shim .010" Thick	1

* - Item made-to-order N/A - Item is not currently offered by American Holt

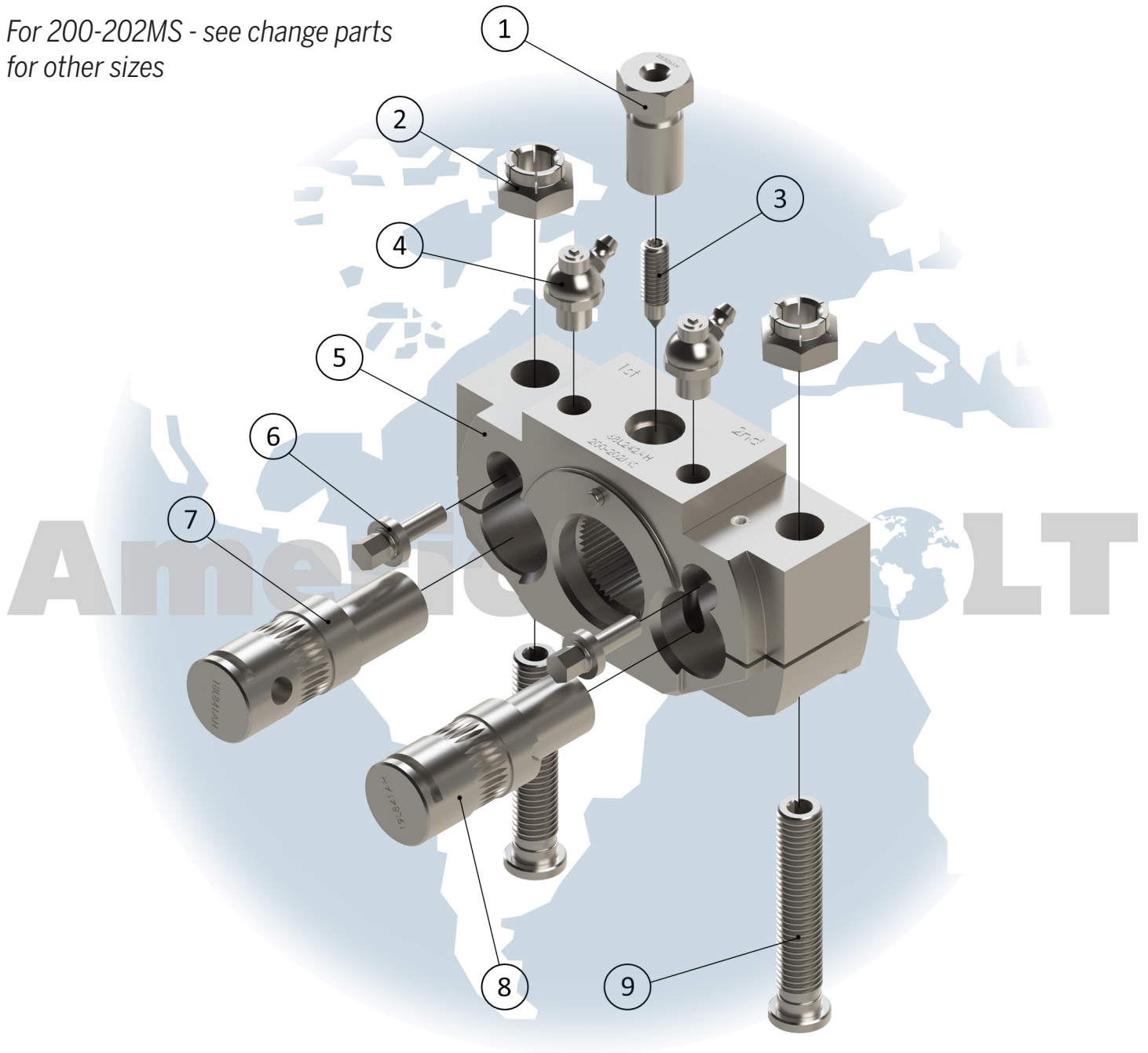
FOR MORE INFORMATION, CONTACT AMERICAN HOLT AT:
781-440-9993 • sales@americanholt.com • www.americanholt.com

121L Seamer

AFTER MARKET PARTS FOR:

SEAMING LEVER - 1L200AH

For 200-202MS - see change parts
for other sizes



NOTICE: All parts offered by American Holt are manufactured by or for American Holt and not by or for the Original Equipment Manufacturer. Part numbers shown that are those of the Original Equipment Manufacturer, if any, are used for reference purposes only. American Holt is an independent supplier of quality replacement parts having no affiliation with any Original Equipment Manufacturer. All prices are subject to change without notice. Copyright ©2022 American Holt Corp. All rights reserved.

IN-STOCK AND READY TO SHIP.

SEAMING LEVER - 1L200AH

ITEM NO.	PART NO.	DESCRIPTION	QTY
1	23L826AH	Seaming Lever Lock Set Screw	1
2	32L616AH	FlexLoc Regular Nut	2
3	24L826AH	Seaming Lever Cone Set Screw	1
4	2P214AH	Hydraulic Shut-off Fitting	2
5	**L242AH (68L242AH SHOWN - See Change Parts)	Seaming Lever Block	1
6	26L826AH	Seaming Roll Height Screw	2
7	18L841AH	Seaming Roll Pin - 1st Operation	1
8	19L841AH	Seaming Roll Pin - 2nd Operation	1
9	25L826AH	Seaming Roll Adjustment Screw	2
N/A	L641AH	Seaming Roll - 1st Operation	1
N/A	L641AH	Seaming Roll - 2nd Operation	1

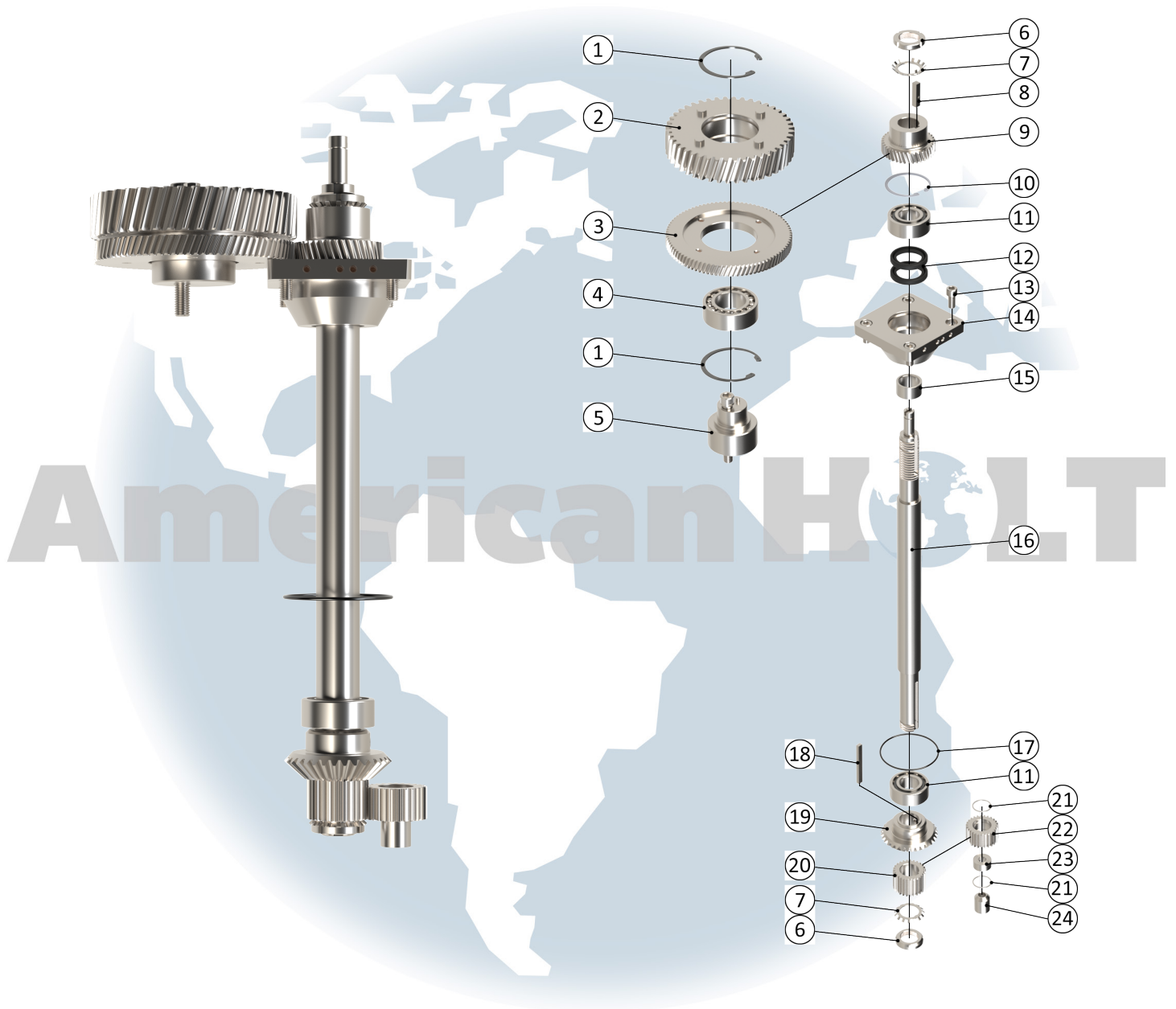
* - Item made-to-order N/A - Item is not currently offered by American Holt

FOR MORE INFORMATION, CONTACT AMERICAN HOLT AT:
781-440-9993 • sales@americanholt.com • www.americanholt.com

121L Seamer

AFTER MARKET PARTS FOR:

SEPARATOR DRIVE



NOTICE: All parts offered by American Holt are manufactured by or for American Holt and not by or for the Original Equipment Manufacturer. Part numbers shown that are those of the Original Equipment Manufacturer, if any, are used for reference purposes only. American Holt is an independent supplier of quality replacement parts having no affiliation with any Original Equipment Manufacturer. All prices are subject to change without notice. Copyright ©2022 American Holt Corp. All rights reserved.

IN-STOCK AND READY TO SHIP.

SEPARATOR DRIVE

ITEM NO.	PART NO.	DESCRIPTION	QTY
1	9L617AH	Retaining Ring	2
2	92L823AH	Upper Separator Intermediate Gear (INCLUDES HARDWARE)	1
3	91L823AH	Lower Separator Intermediate Gear	1
4	100L616AH	Ball Bearing	1
5	61L817AH	Separator Intermediate Bearing Holder (INCLUDES HARDWARE)	1
N/A	148L816AH	Separator Intermediate Bearing Washer	1
6	3P116AH	Bearing Locknut	2
7	4P116AH	Bearing Lockwasher	2
8	5L647AH	Marker Driven Gear Key	1
9	90L823AH	Separator Driven Gear	1
10	13L817AH	Snap Ring	1
11	27L816AH	Ball Bearing	2
12	10L815AH	Oil Seal	2
13	SHCS-SS-0.50-13X1.0	Screw	4
14	62L817AH	Separator Drive Bearing Holder - Top	1
15	15L853AH	Sleeve	1
16	12L844AH	Separator Drive Shaft	1
N/A	14L817AH	Separator Drive Bearing Holder - Bottom	1
17	12L815AH	#242 O-Ring	1
18	6L847AH	Key	1
19	20L823AH	Marker Miter Gear (USED WITH MARKER) (INCLUDES HARDWARE)	1
	174L853AH (NOT SHOWN)	Separator Drive Gear Spacer (USED WITHOUT MARKER)	1
20	1L823AH	Separator Drive Gear	1
21	12L817AH	Snap Ring	2
22	19L823AH	Separator Intermediate Gear - 1st	1
23	15L816AH	Ball Bearing	1
24	2L853AH	Spacer	1

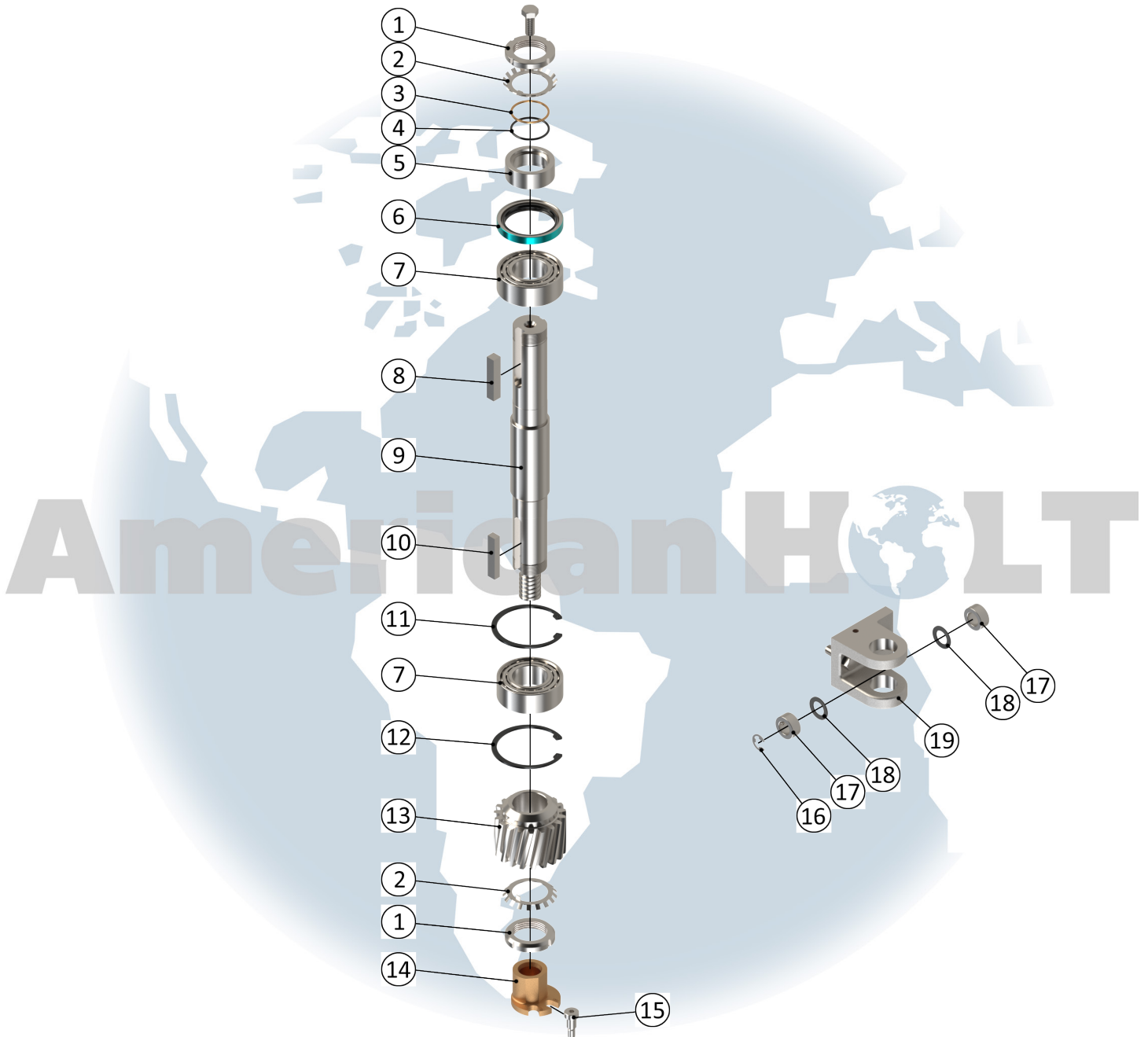
* - Item made-to-order N/A - Item is not currently offered by American Holt

FOR MORE INFORMATION, CONTACT AMERICAN HOLT AT:
781-440-9993 • sales@americanholt.com • www.americanholt.com

121L Seamer

AFTER MARKET PARTS FOR:

MAIN DRIVE & MOTOR BASE



NOTICE: All parts offered by American Holt are manufactured by or for American Holt and not by or for the Original Equipment Manufacturer. Part numbers shown that are those of the Original Equipment Manufacturer, if any, are used for reference purposes only. American Holt is an independent supplier of quality replacement parts having no affiliation with any Original Equipment Manufacturer. All prices are subject to change without notice. Copyright ©2022 American Holt Corp. All rights reserved.

IN-STOCK AND READY TO SHIP.

MAIN DRIVE & MOTOR BASE

ITEM NO.	PART NO.	DESCRIPTION	QTY
1	27P916AH	Bearing Locknut	2
2	26P916AH	Bearing Lockwasher	2
3	43L817AH	O-Ring Back-Up Ring	1
4	34L815AH	#224 O-Ring	1
5	24L853AH	Main Drive Seal Sleeve	1
6	15L815AH	Oil Seal	1
7	26L816AH	Ball Bearing	2
	21L843AH	Main Drive Bracket (COMING SOON)	1
8	9L847AH	Key	1
9	17L844AH	Main Drive Pinion Shaft	1
10	2L847AH	Key	1
11	24L817AH	Snap Ring	1
12	25L817AH	Snap Ring	1
13	31L823AH	Main Drive Pinion	1
14	4L814AH	Pump Housing	1
15	11L826AH	Hex Socket Shoulder Screw	1
16	1L617AH	Retaining Ring - Nickel Plated	1
	12L653AH (NOT SHOWN)	Crank Handle - 1/2"	1
N/A	12L826AH	Motor Base Screw	1
17	28L653AH	Set Collar - Steel .7500 (INCLUDES HARDWARE)	2
18	32L816AH	Washer	2
19	25L843AH	Motor Base Screw Bracket - Stainless Steel (INCLUDES HARDWARE)	1
N/A	6L828AH	Motor Base Screw Pin	1
N/A	65L826AH	Motor Base Screw Locknut	1
N/A	5L828AH	Motor Base Pin	1
N/A	33L854AH	Motor Base Bracket Closure	3
	72L816AH (NOT SHOWN)	Bearing Liner	2
	73L816AH (NOT SHOWN)	Washer	2
N/A	23L843AH	Upper Motor Base Bracket	1
N/A	22L843AH	Motor Base NEMA Frames 284U to 326U	1
N/A	18L844AH	Motor Base Shaft	1
N/A	24L843AH	Lower Motor Base Bracket	1

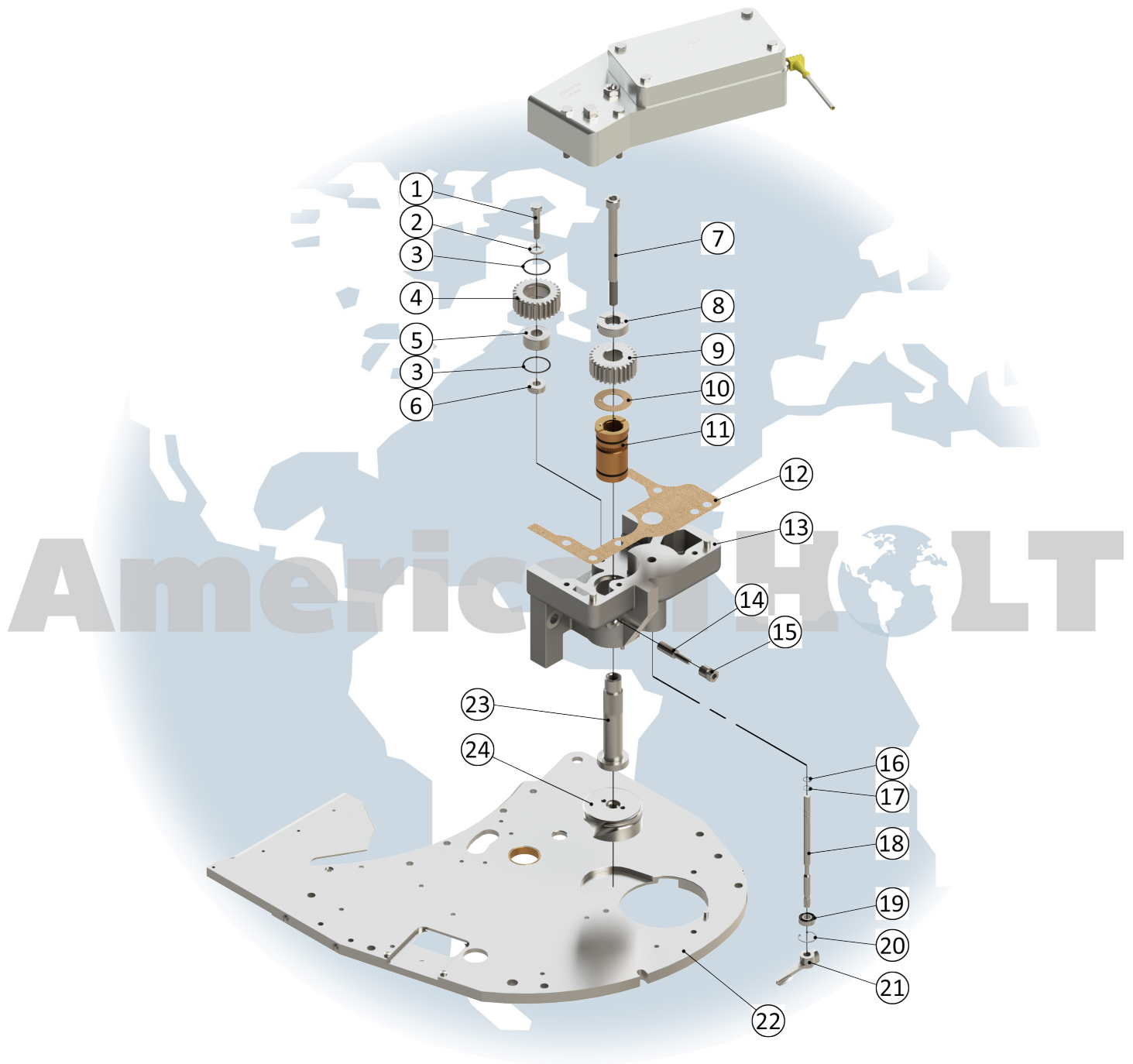
* - Item made-to-order N/A - Item is not currently offered by American Holt

FOR MORE INFORMATION, CONTACT AMERICAN HOLT AT:
781-440-9993 • sales@americanholt.com • www.americanholt.com

121L Seamer

AFTER MARKET PARTS FOR:

SEPARATOR BRACKET



NOTICE: All parts offered by American Holt are manufactured by or for American Holt and not by or for the Original Equipment Manufacturer. Part numbers shown that are those of the Original Equipment Manufacturer, if any, are used for reference purposes only. American Holt is an independent supplier of quality replacement parts having no affiliation with any Original Equipment Manufacturer. All prices are subject to change without notice. Copyright ©2022 American Holt Corp. All rights reserved.

IN-STOCK AND READY TO SHIP.

SEPARATOR BRACKET

ITEM NO.	PART NO.	DESCRIPTION	QTY
1	HHBOLT-SS-0.375-16X1.75	Screw	1
2	WASHFLAT-SS-0.406X0.812X0.12	Washer	1
3	12L817AH	Snap Ring	2
4	2L823AH	Separator Intermediate Gear	1
5	15L816AH	Ball Bearing	1
6	14L853AH	Spacer	1
7	19L826AH	Separator Spindle Screw	1
8	304L853AH	Clamp Collar 0.8750-14 (INCLUDES HARDWARE)	1
9	3L823AH	Separator Driven Gear	1
10	50L816AH	Washer	1
11	1L816AH	Separator Spindle Bearing Assembly (INCLUDES HARDWARE)	1
11.1	1L815AH	Oil Seal	1
11.2	18L815AH	#127 O-Ring	2
12	56L815AH	Separator Gasket	1
13	L885AH (350L885AH SHOWN - See Change Parts)	Separator Bracket (INCLUDES HARDWARE)	1
14	21L826AH	Separator Adjustment Screw	1
15	22L826AH	Separator Adjustment Lock Screw	1
16	32H617AH	Snap Ring	1
17	34H617AH	Snap Ring Bowed	1
18	39L828AH	NC NC Finger Pivot Pin	1
19	2L816AH	Ball Bearing	1
20	33H617AH	Snap Ring	1
21	20L882AH	NC NC Finger (INCLUDES HARDWARE)	1
22	L843AH (599L843AH SHOWN - See Change Parts)	Cap Feed Plate (INCLUDES HARDWARE)	REF
22.1	61L816AH	Oilite Bushing	REF
23	3L856AH	Separator Spindle	1
24	L856AH (124L856AH SHOWN - See Change Parts)	Separator Knife Disc (INCLUDES HARDWARE)	1

* - Item made-to-order N/A - Item is not currently offered by American Holt

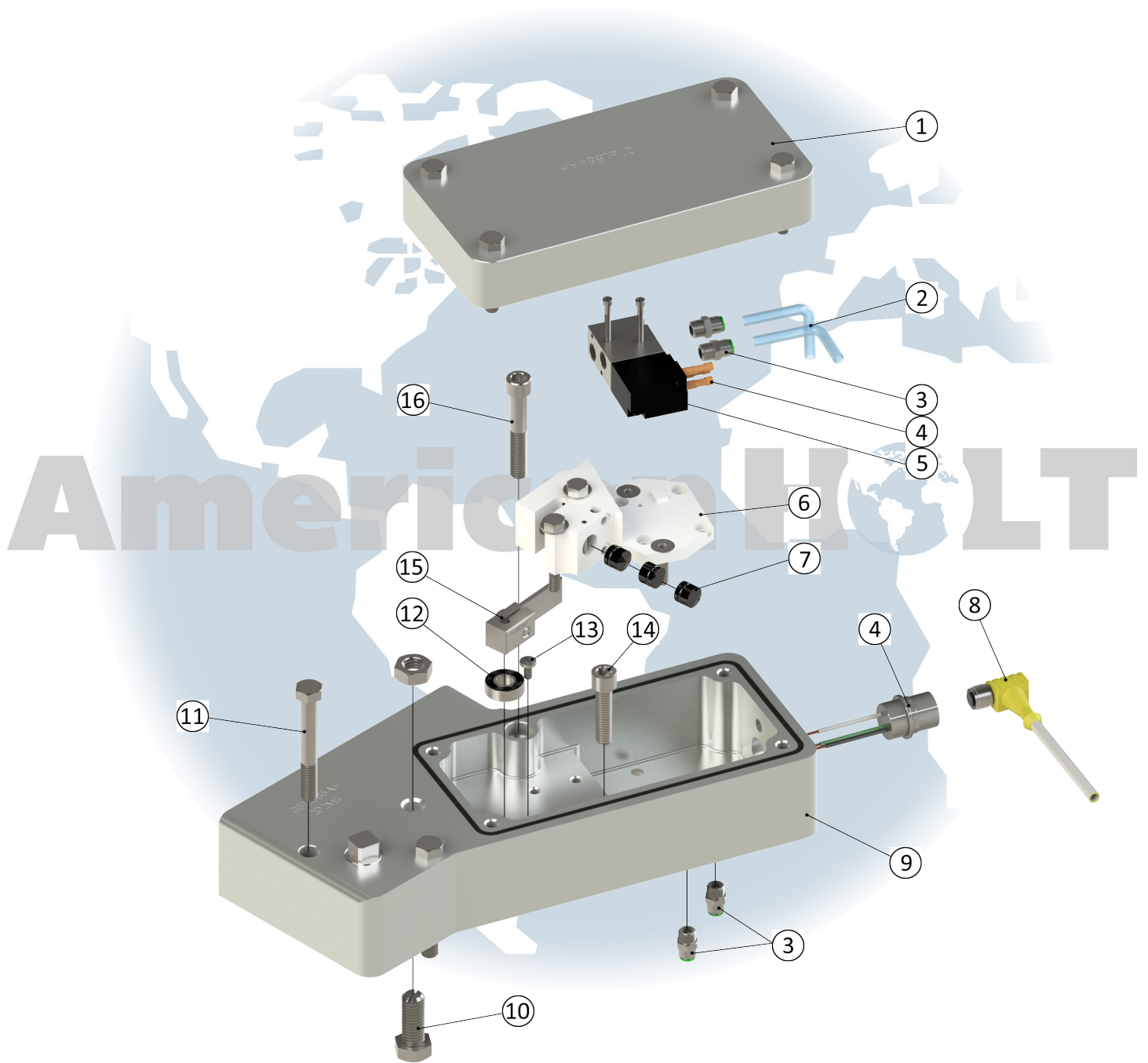
FOR MORE INFORMATION, CONTACT AMERICAN HOLT AT:
781-440-9993 • sales@americanholt.com • www.americanholt.com

121L Seamer

AFTER MARKET PARTS FOR:

PNEUMATIC CONVERSION KIT

SOLCASE-PNU-ASSY-120-121L-202AH or SOLCASE-PNU-ASSY-120-121L-206AH



NOTICE: All parts offered by American Holt are manufactured by or for American Holt and not by or for the Original Equipment Manufacturer. Part numbers shown that are those of the Original Equipment Manufacturer, if any, are used for reference purposes only. American Holt is an independent supplier of quality replacement parts having no affiliation with any Original Equipment Manufacturer. All prices are subject to change without notice. Copyright ©2022 American Holt Corp. All rights reserved.

PNEUMATIC CONVERSION KIT

Sold assembled as SOLCASE-PNU-ASSY-120-121L-202AH
or SOLCASE-PNU-ASSY-120-121L-206AH

ITEM NO.	PART NO.	DESCRIPTION	QTY
1	216L854AH	Solenoid Case Cover 207.5-209 (INCLUDES HARDWARE)	1
2	33H614AH	Tubing	2
3	306L639AH	Straight Adapter for 1/4" Tube OD x 1/8 NPT Male	4
4	141L885-PLUGAH	Solenoid Case Plug	1
4.1	ZZ-TERMINAL-FEM-0.11X0.02-FULLINSLTD	Terminal	3
5	308L639AH	Pneumatic Valve 24V (INCLUDES HARDWARE)	1
6	162L839AH	NC NC Control Unit (INCLUDES HARDWARE)	1
6.1	12S815AH	#012 O-Ring	2
7	163L839AH	Piston	3
7.1	12S815AH	#012 O-Ring	3
8	879L833AH	Cable	1
9	L885 (351L885AH SHOWN - See Change Parts)	NC NC Solenoid Case (INCLUDES OIL PLUG)	1
9.1	ZZ-SOLENOIDCASE-SEALAH	O-Ring	1
9.2	40H615AH	#255 O-Ring	1
10	20L826AH	Separator Hold Down Screw (INCLUDES HARDWARE)	1
11	HHBOLT-SS-0.375-16X2.75	Screw	2
12	2L816AH	Ball Bearing	1
13	PHMS-SS-10-24X0.375	Screw	1
14	SHCS-SS-0.375-16X1.75	Screw	1
15	21L882AH	Lever (INCLUDES HARDWARE)	1
16	SHCS-SS-0.375-16X2.25	Screw	1

* - Item made-to-order N/A - Item is not currently offered by American Holt

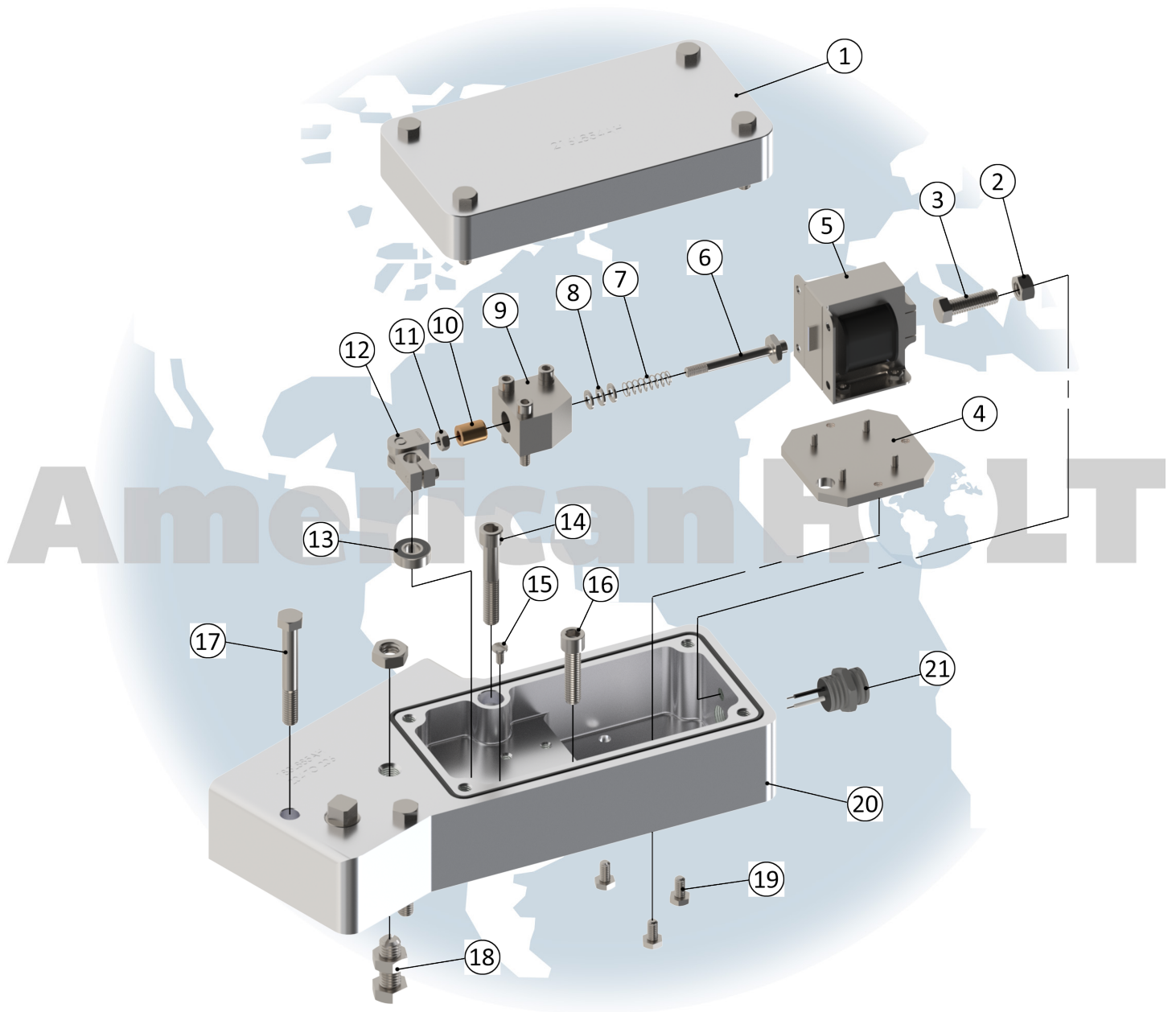
FOR MORE INFORMATION, CONTACT AMERICAN HOLT AT:
781-440-9993 • sales@americanholt.com • www.americanholt.com

121L Seamer

AFTER MARKET PARTS FOR:

ELECTRICAL CONVERSION KIT

SOLCASE-ELE-ASSY-120-121L-206AH



NOTICE: All parts offered by American Holt are manufactured by or for American Holt and not by or for the Original Equipment Manufacturer. Part numbers shown that are those of the Original Equipment Manufacturer, if any, are used for reference purposes only. American Holt is an independent supplier of quality replacement parts having no affiliation with any Original Equipment Manufacturer. All prices are subject to change without notice. Copyright ©2022 American Holt Corp. All rights reserved.

IN-STOCK AND READY TO SHIP.

ELECTRICAL CONVERSION KIT

Sold assembled as SOLCASE-ELE-ASSY-120-121L-206AH

ITEM NO.	PART NO.	DESCRIPTION	QTY
1	216L854AH	Solenoid Case Cover 207.5-209 (INCLUDES HARDWARE)	1
2	HEXNUT-SS-0.375-16X0.32	Nut	1
3	HHBOLT-SS-0.375-16X1.25	Screw	1
4	210L846AH	Solenoid Plate (INCLUDES HARDWARE)	1
5	17L833AH	Push Solenoid	1
6	15L882AH	Rod	1
7	24L840AH	Spring for NC NC Block	1
8	135L816AH	Shim	3
9	16L882AH	Electric Solenoid Block (INCLUDES HARDWARE)	1
10	131L816AH	Bushing	1
11	HEXNUT-SS-0.25-28X0.18	Nut	1
12	17L882AH-18L882AH-ASSY	Clevis and NC NC Lever Link Assembly (INCLUDES HARDWARE)	1
12.1	17L882AH	Clevis	1
12.2	18L882AH	NC NC Lever Link	1
13	2L816AH	Ball Bearing	1
14	SHCS-SS-0.375-16X2.25	Screw	1
15	PHMS-SS-10-24X0.375	Screw	1
16	SHCS-SS-0.375-16X1.5	Screw	1
17	HHBOLT-SS-0.375-16X2.75	Screw	2
18	20L826AH	Separator Hold Down Screw (INCLUDES HARDWARE)	1
19	HHBOLT-SS-0.25-20X0.50	Screw	3
20	L885 (183L885AH SHOWN - See Change Parts)	Solenoid Case (INCLUDES OIL PLUG)	1
20.1	ZZ-SOLENOIDCASE-SEALAH	O-Ring	1
20.2	40H615AH	#255 O-Ring	1
21	183L885-PLUGAH	Solenoid Plug	1

* - Item made-to-order N/A - Item is not currently offered by American Holt

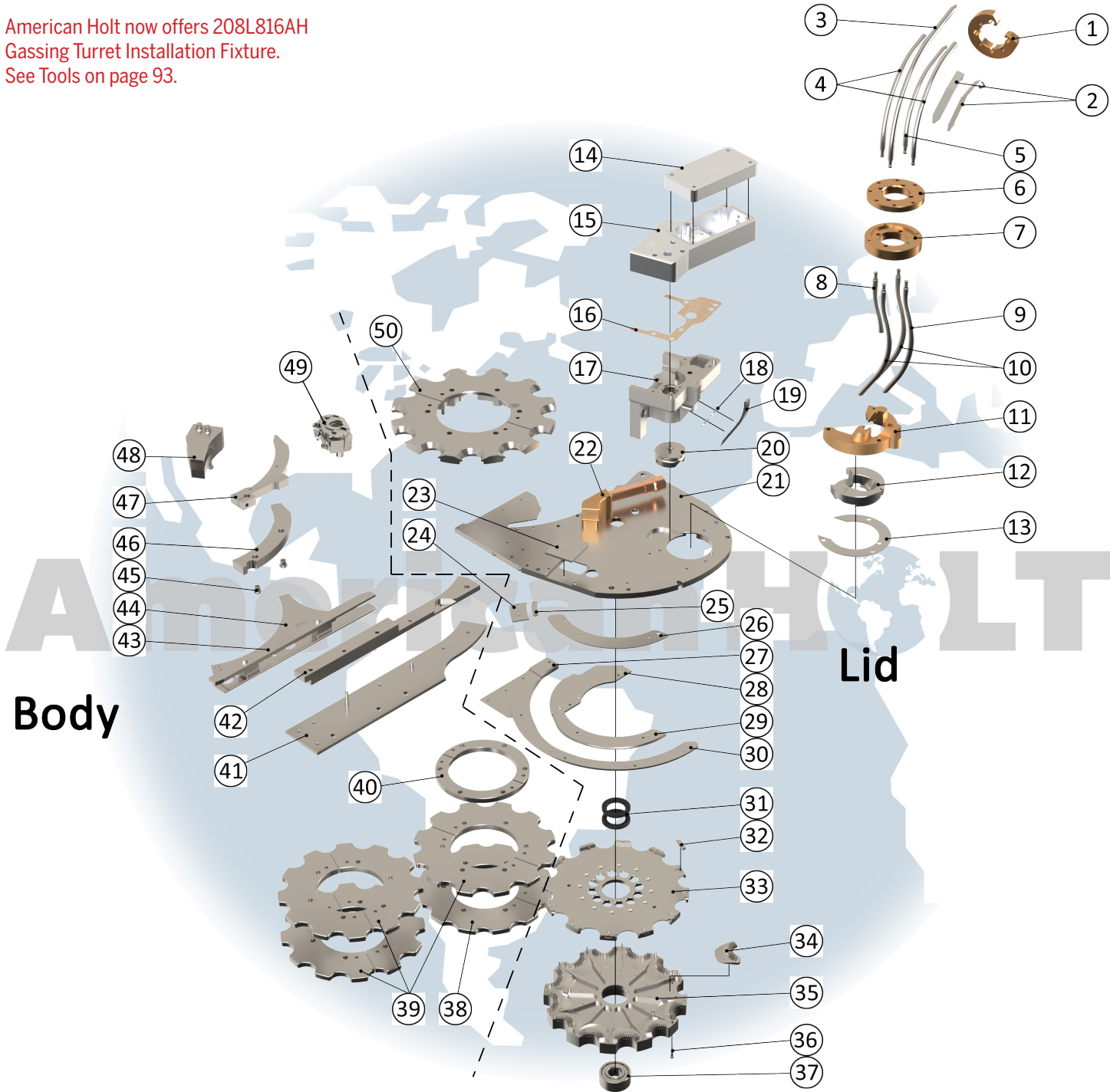
FOR MORE INFORMATION, CONTACT AMERICAN HOLT AT:
781-440-9993 • sales@americanholt.com • www.americanholt.com

121L Seamer

AFTER MARKET PARTS FOR:

CHANGE PARTS - 200 LID x 202 CAN

American Holt now offers 208L816AH
Gassing Turret Installation Fixture.
See Tools on page 93.



NOTICE: All parts offered by American Holt are manufactured by or for American Holt and not by or for the Original Equipment Manufacturer. Part numbers shown that are those of the Original Equipment Manufacturer, if any, are used for reference purposes only. American Holt is an independent supplier of quality replacement parts having no affiliation with any Original Equipment Manufacturer. All prices are subject to change without notice. Copyright ©2022 American Holt Corp. All rights reserved.

CHANGE PARTS - 200 LID x 202 CAN

ITEM NO.	PART NO.	DESCRIPTION	QTY
1	68L685AH	Cap Magazine Rod Retaining Ring - 200	1
2	36L656AH	Cover Guide Strap Set - L.H. + R.H.	1
3	144L856AH	Cover Feed Chute Rear Rod - 202MS	1
4	143L856B.AH	Cover Feed Chute Side Rod	2
5	142L856AH	Cover Feed Chute Front Rod - 202MS	1
6	122L885AH	Upper Cap Rod Connecting Ring - 200 (INCLUDES HARDWARE)	1
7	123L885AH	Lower Cap Rod Connecting Ring - 200 (INCLUDES HARDWARE)	1
8	138L856AH	Cap Magazine Rear Rod - 32 Degree	1
9	140L856AH	Cap Magazine Front Rod - 32 Degree	1
10	139L856AH	Cap Magazine Side Rod - 32 Degree	2
11	391L885AH	Cap Magazine - 200MS - 32 Degree (INCLUDES HARDWARE)	1
12	424L885AH	Cap Magazine Insert - 200	1
13	95L853AH	Cap Feed Plate Shim	1
14	216L854AH	Solenoid Case Cover - 207.5-209 (INCLUDES HARDWARE)	1
15	351L885AH	NC NC Solenoid Case - 202MS (INCLUDES HARDWARE)	1
16	56L815AH	Separator Gasket	1
17	381L885AH	Separator Bracket - 200 - 32 Degree (INCLUDES HARDWARE)	1
18	227L816-5AH	Shim .005" Thick	4
	227L816-10AH	Shim .010" Thick	4
	227L816-30AH	Shim .030" Thick	6
19	141L856AH	Cap Magazine Guide (INCLUDES HARDWARE)	1
20	197L856AH	Separator Disk 200/202 (INCLUDES HARDWARE)	1
21	599L843AH	Cap Feed Plate (INCLUDES HARDWARE)	1
21.1	61L816AH	Oilite Bushing	1
22	1L832AH	Gassing Pipe	1
23	59L854AH	Marker Opening Cover (INCLUDES HARDWARE)	1
24	897L873AH	Outer Cap Guide Rail Filler - 200MS	1
25	1L856AH	Cap Feed Plate End Deflector (INCLUDES HARDWARE)	1

ITEM NO.	PART NO.	DESCRIPTION	QTY
26	50L873AH	Inner Cap Guide Filler - 200-202 Diameter	1
27	896L873AH	Outer Cap Guide Rail - 200MS -15	1
28	895L873AH	Inner Cap Guide Rail - 200MS -15	1
29	893L873AH	Inner Cap Guide - 200MS -15	1
30	894L873AH	Outer Cap Guide - 200MS -15	1
31	8L815AH	Oil Seal	2
32	101L259AH	Cap Pusher - 200/202	12
33	62L270AH	Feed Turret Plate - 200 Diameter B=+30	1
34	28L870AH	Feed Turret Insert - 200/202 TB=+30 PB=+30	12
35	135L270AH	Feed Turret - 202 X 413 To 800 TB=+30 PB=+30 (INCLUDES HARDWARE)	1
36	74L826AH	Nylok Cap Pusher Screw	12
37	59P916AH	Ball Bearing	1
38	27L208AH	Lower Seaming Turret - 202 Diameter B+30	1
39	26L208AH	Seaming and Discharge Turret - 202 Diameter B+30	3
40	179L853AH	Separator Drive Gear Spacer - 202, 204, 211 & 300	1
41	270L884AH	Inlet Rail Support Plate - 202 Diameter	1
42	299L884AH	Can Feed Inlet Rail - 202 Diameter	1
43	45L883AH	Top Can Feed & Discharge Rail - Slim 202 (INCLUDES HARDWARE)	1
44	94L883AH	Bottom Can Feed & Discharge Plate - 202 X 113 to 314	1
45	129L853AH	Flanged Bushing (INCLUDES HARDWARE)	2
46	88L845AH	Upper Discharge Bottom Rail - 202 X 400/800	1
47	52L845AH	Upper Discharge Top Rail - 200/202 (INCLUDES HARDWARE)	1
48	224L845AH	Outer Discharge Rail - 202	1
49	1L200AH	Seaming Lever Sub-Assembly	12
50	52L242AH	Seaming Chuck Bell - 200MS SB=STD LB=-15 (INCLUDES HARDWARE)	1

* - Item made-to-order ** Quick Change Enabled N/A - Item is not currently offered by American Holt

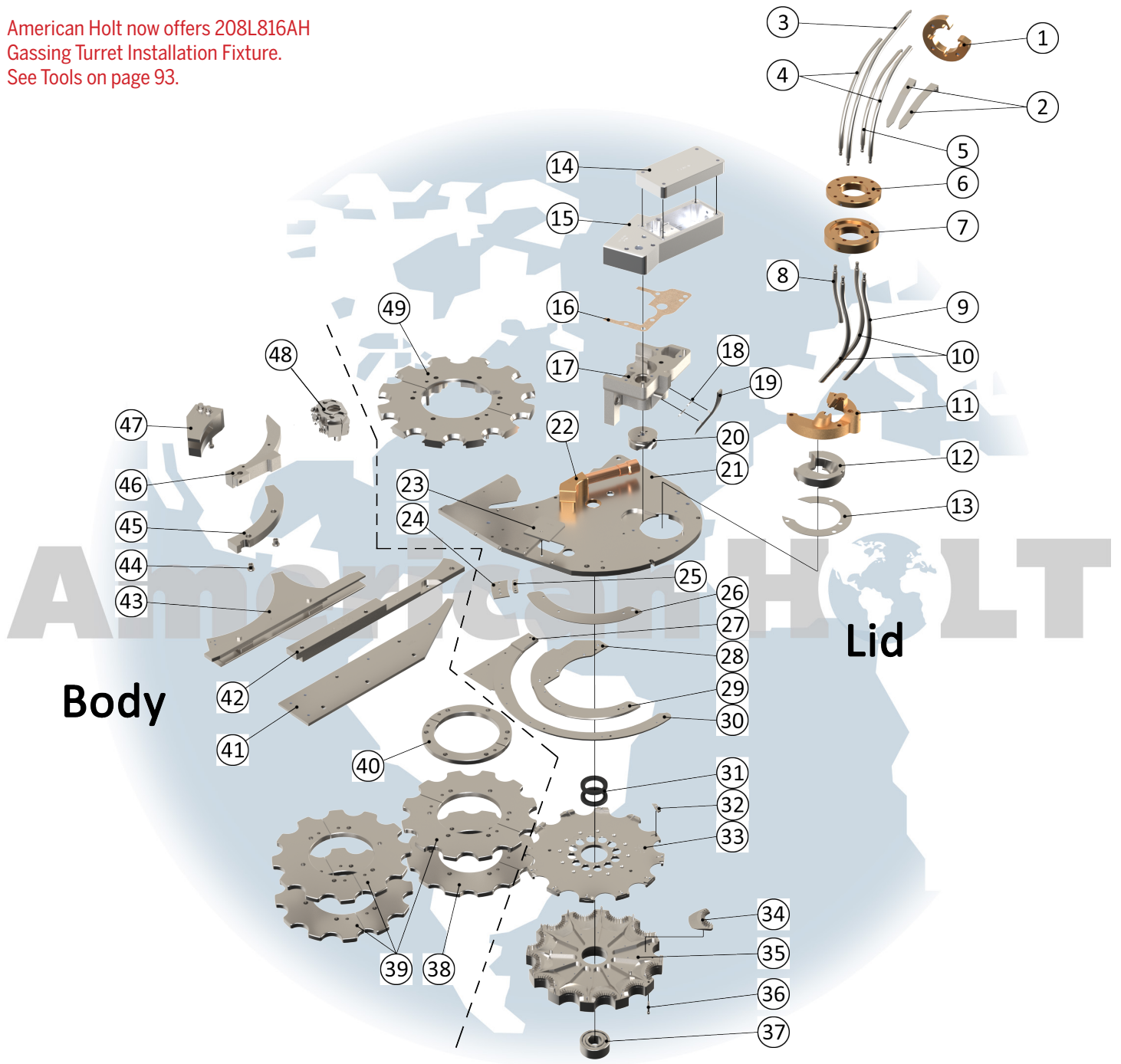
FOR MORE INFORMATION, CONTACT AMERICAN HOLT AT:
781-440-9993 • sales@americanholt.com • www.americanholt.com

121L Seamer

AFTER MARKET PARTS FOR:

CHANGE PARTS - 202 LID x 204 CAN

American Holt now offers 208L816AH
Gassing Turret Installation Fixture.
See Tools on page 93.



NOTICE: All parts offered by American Holt are manufactured by or for American Holt and not by or for the Original Equipment Manufacturer. Part numbers shown that are those of the Original Equipment Manufacturer, if any, are used for reference purposes only. American Holt is an independent supplier of quality replacement parts having no affiliation with any Original Equipment Manufacturer. All prices are subject to change without notice. Copyright ©2022 American Holt Corp. All rights reserved.

IN-STOCK AND READY TO SHIP.

CHANGE PARTS - 202 LID x 204 CAN

ITEM NO.	PART NO.	DESCRIPTION	QTY
1	265L685AH	Cap Magazine Rod Retaining Ring - 202MS	1
2	36L656AH	Cover Guide Strap Set - L.H. + R.H.	1
3	144L856AH	Cover Feed Chute Rear Rod - 202MS	1
4	143L856B.AH	Cover Feed Chute Side Rod	2
5	142L856AH	Cover Feed Chute Front Rod - 202MS	1
6	347L885AH	Upper Cap Rod Connecting Ring - 202MS (INCLUDES HARDWARE)	1
7	348L885AH	Lower Cap Rod Connecting Ring - 202MS (INCLUDES HARDWARE)	1
8	138L856AH	Cap Magazine Rear Rod - 32 Degree	1
9	140L856AH	Cap Magazine Front Rod - 32 Degree	1
10	139L856AH	Cap Magazine Side Rod - 32 Degree	2
11	389L885AH	Cap Magazine - 202MS - 32 Degree (INCLUDES HARDWARE)	1
12	390L885AH	Cap Magazine Insert - 202MS	1
13	95L853AH	Cap Feed Plate Shim	1
14	216L854AH	Solenoid Case Cover - 207.5-209 (INCLUDES HARDWARE)	1
15	351L885AH	NC NC Solenoid Case - 202MS (INCLUDES HARDWARE)	1
16	56L815AH	Separator Gasket	1
17	350L885AH	Separator Bracket - 202 - 32 Degree (INCLUDES HARDWARE)	1
18	227L816-5AH	Shim .005" Thick	4
	227L816-10AH	Shim .010" Thick	4
	227L816-30AH	Shim .030" Thick	6
19	141L856AH	Cap Magazine Guide (INCLUDES HARDWARE)	1
20	124L856AH	Separator Knife Disc - 202MS (INCLUDES HARDWARE)	1
21	599L843AH	Cap Feed Plate (INCLUDES HARDWARE)	1
21.1	61L816AH	Oilite Bushing	1
22	1L832AH	Gassing Pipe	1
23	59L854AH	Marker Opening Cover (INCLUDES HARDWARE)	1
24	648L873AH	Outer Cap Guide Rail Filler - 202MS	1
25	1L856AH	Cap Feed Plate End Deflector (INCLUDES HARDWARE)	1

ITEM NO.	PART NO.	DESCRIPTION	QTY
26	50L873AH	Inner Cap Guide Filler - 200-202 Diameter	1
27	652L873AH	Outer Cap Guide Rail - 202MS	1
28	646L873AH	Inner Cap Guide Rail - 202MS	1
29	644L873AH	Inner Cap Guide - 202MS	1
30	645L873AH	Outer Cap Guide - 202MS	1
31	8L815AH	Oil Seal	2
32	83L259AH (SHOWN) / 99L259AH	Cap Pusher - 202MS	12
33	*183L270AH	Feed Turret Plate - 202MS/207 B=STD	1
34	*99L870AH	Feed Turret Insert - 202MS/207 TB=STD PB=STD	12
35	*182L270AH	Feed Turret - 202MS/207 X 406 to 800 TB=STD PB=STD (INCLUDES HARDWARE)	1
36	74L826AH	Nylok Cap Pusher Screw	12
37	59P916AH	Ball Bearing	1
38	72L208AH	Lower Seaming Turret - Split - 207 B=STD	1
39	73L208AH	Seaming and Discharge Turret - Split - 207 B=STD	3
40	179L853AH	Separator Drive Gear Spacer - 202, 204, 211 & 300	1
41	53L884AH	Inlet Rail Support Plate - 204 to 211	1
42	1390236AH	Can Feed Inlet Rail 207 X 402 & Up	1
**43	96L883AH	Bottom Rail - 207 X 113 to 314 (INCLUDES HARDWARE)	1
**43.1	1390235AH	Top Rail - 207 X 315 & Up	1
	95L883AH	Top Rail - 207 X 315 & Up	1
44	129L853AH	Flanged Bushing (INCLUDES HARDWARE)	2
45	313L845AH	Upper Discharge Bottom Rail - 202MS/207 X 304/800	1
46	60L845AH	Upper Discharge Top Rail - 202MS (INCLUDES HARDWARE)	1
47	312L845AH	Outer Discharge Rail - 207 X 408+ (INCLUDES HARDWARE)	1
48	1L200AH	Seaming Lever Sub-Assembly	12
49	61L242AH	Seaming Chuck Bell - 202 Diameter SB=STD LB=STD (INCLUDES HARDWARE)	1

Made-To-Order Options		
*183L270AH+15AH	Feed Turret Plate - 202MS/207 B=+15	1
*99L870AH+15AH	Feed Turret Insert - 202MS/207 TB=+15 PB=+15	12
*182L270AH+15AH	Feed Turret - 202MS/207 X 406 to 800 TB=+15 PB=+15 (INCLUDES HARDWARE)	1

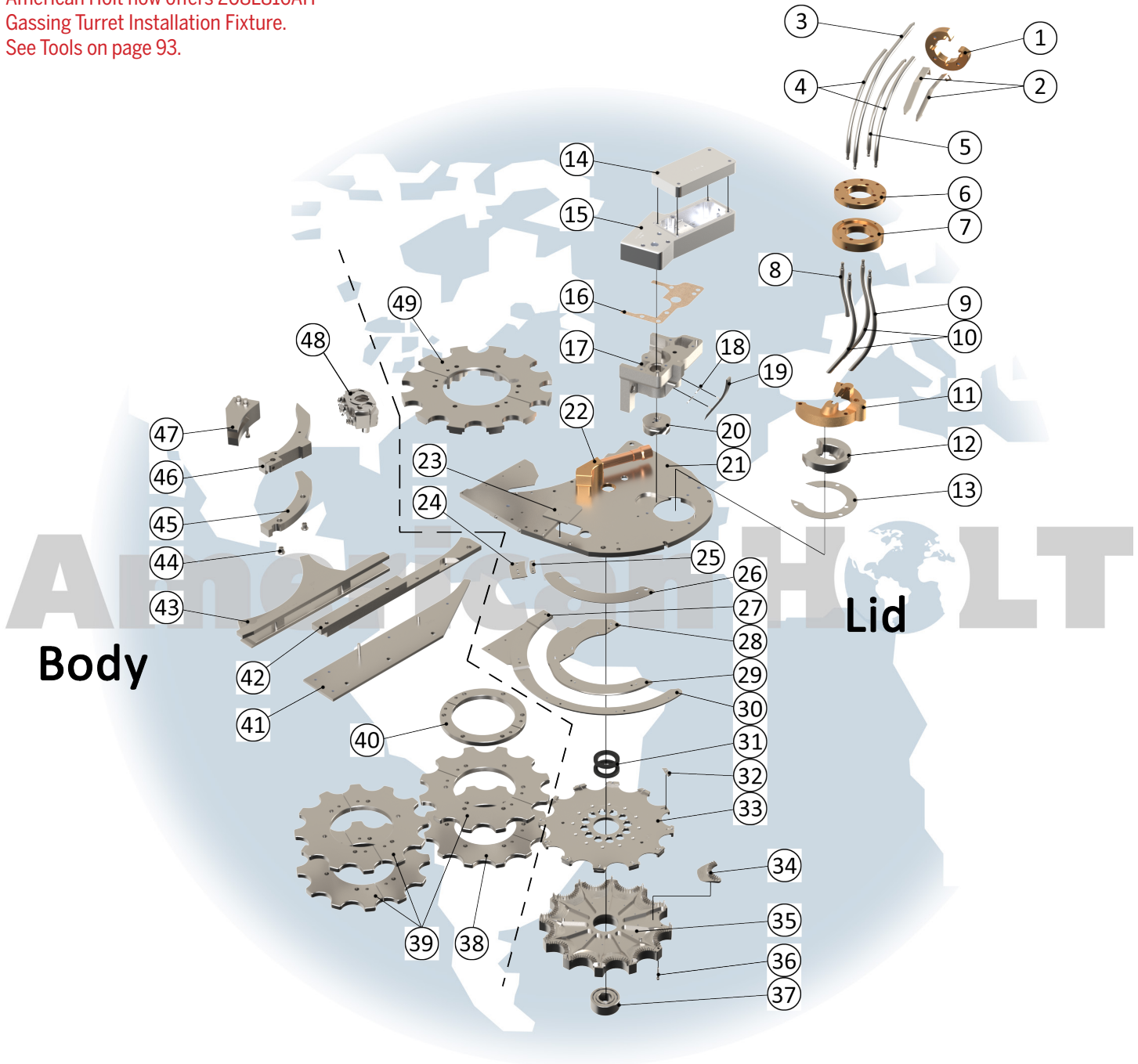
* - Item made-to-order ** Quick Change Enabled N/A - Item is not currently offered by American Holt

121L Seamer

AFTER MARKET PARTS FOR:

CHANGE PARTS - 202 LID x 211 CAN

American Holt now offers 208L816AH
Gassing Turret Installation Fixture.
See Tools on page 93.



NOTICE: All parts offered by American Holt are manufactured by or for American Holt and not by or for the Original Equipment Manufacturer. Part numbers shown that are those of the Original Equipment Manufacturer, if any, are used for reference purposes only. American Holt is an independent supplier of quality replacement parts having no affiliation with any Original Equipment Manufacturer. All prices are subject to change without notice. Copyright ©2022 American Holt Corp. All rights reserved.

IN-STOCK AND READY TO SHIP.

CHANGE PARTS - 202 LID x 211 CAN

ITEM NO.	PART NO.	DESCRIPTION	QTY
1	265L685AH	Cap Magazine Rod Retaining Ring - 202MS	1
2	36L656AH	Cover Guide Strap Set - L.H. + R.H.	1
3	144L856AH	Cover Feed Chute Rear Rod - 202MS	1
4	143L856B.AH	Cover Feed Chute Side Rod	2
5	142L856AH	Cover Feed Chute Front Rod - 202MS	1
6	347L885AH	Upper Cap Rod Connecting Ring - 202MS (INCLUDES HARDWARE)	1
7	348L885AH	Lower Cap Rod Connecting Ring - 202MS (INCLUDES HARDWARE)	1
8	138L856AH	Cap Magazine Rear Rod - 32 Degree	1
9	140L856AH	Cap Magazine Front Rod - 32 Degree	1
10	139L856AH	Cap Magazine Side Rod - 32 Degree	2
11	389L885AH	Cap Magazine - 202MS - 32 Degree (INCLUDES HARDWARE)	1
12	390L885AH	Cap Magazine Insert - 202MS	1
13	95L853AH	Cap Feed Plate Shim	1
14	216L854AH	Solenoid Case Cover - 207.5-209 (INCLUDES HARDWARE)	1
15	351L885AH	NC NC Solenoid Case - 202MS (INCLUDES HARDWARE)	1
16	56L815AH	Separator Gasket	1
17	350L885AH	Separator Bracket - 202 - 32 Degree (INCLUDES HARDWARE)	1
18	227L816-5AH	Shim .005" Thick	4
	227L816-10AH	Shim .010" Thick	4
	227L816-30AH	Shim .030" Thick	6
19	141L856AH	Cap Magazine Guide (INCLUDES HARDWARE)	1
20	124L856AH	Separator Knife Disc - 202MS (INCLUDES HARDWARE)	1
21	599L843AH	Cap Feed Plate (INCLUDES HARDWARE)	1
21.1	61L816AH	Oilite Bushing	1
22	1L832AH	Gassing Pipe	1
23	59L854AH	Marker Opening Cover (INCLUDES HARDWARE)	1
24	648L873AH	Outer Cap Guide Rail Filler - 202MS	1
25	1L856AH	Cap Feed Plate End Deflector (INCLUDES HARDWARE)	1

ITEM NO.	PART NO.	DESCRIPTION	QTY
26	50L873AH	Inner Cap Guide Filler - 200-202 Diameter	1
27	652L873AH	Outer Cap Guide Rail - 202MS	1
28	646L873AH	Inner Cap Guide Rail - 202MS	1
29	644L873AH	Inner Cap Guide - 202MS	1
30	645L873AH	Outer Cap Guide - 202MS	1
31	8L815AH	Oil Seal	2
32	83L259AH (SHOWN) / 99L259AH	Cap Pusher - 202MS	12
33	*124L270AH+30AH	Feed Turret Plate - 202MS/211 B+30	1
34	*65L870AH+30AH	Cap Feed Turret Insert - 202-204/211 or 202MS TB+30 PB+30	12
35	*125L270AH+30AH	Feed Turret - 202MS/211 X 406 to 800 TB+30 PB+30 (INCLUDES HARDWARE)	1
36	74L826AH	Nylok Cap Pusher Screw	12
37	59P916AH	Ball Bearing	1
38	22L208AH	Lower Seaming Turret - 211 Diameter B+30	1
39	19L208AH	Seaming and Discharge Turret - 211 Diameter B+30	3
40	179L853AH	Separator Drive Gear Spacer - 202, 204, 211 & 300	1
41	53L884AH	Inlet Rail Support Plate - 204 to 211	1
42	77L884AH	Can Feed Inlet Rail 211 Diameter X 408 Min. Can Height	1
43	61L883AH	Double Can Discharge Rail - 211 +15 X 413 Min. Can Height (INCLUDES HARDWARE)	1
44	129L853AH	Flanged Bushing (INCLUDES HARDWARE)	2
45	77L845AH	Bottom Discharge Upper Rail - 211 X 304/800	1
46	60L845AH	Top Discharge Upper Rail - 202MS (INCLUDES HARDWARE)	1
47	222L845AH	Outer Discharge Rail - 211 X 408+ (INCLUDES HARDWARE)	1
48	23L826AH	Seaming Lever Lock Setscrew	12
49	24L826AH	Seaming Lever Cone Setscrew	12
50	68L242AH	Seaming Lever Block - 200-202MS (Component of 1L200AH)	12
51	61L242AH	Seaming Chuck Bell - 202 Diameter SB=STD LB=STD (INCLUDES HARDWARE)	1

Made-To-Order Options		
*124L270AH-STD	Feed Turret Plate - 202MS/211 B=STD	1
*65L870AH-STD	Feed Turret Insert - 202-204/211 or 202MS TB=STD PB=STD	12
*125L270AH-STD	Feed Turret - 202MS/211 X 406 to 800 TB=STD PB=STD (INCLUDES HARDWARE)	1

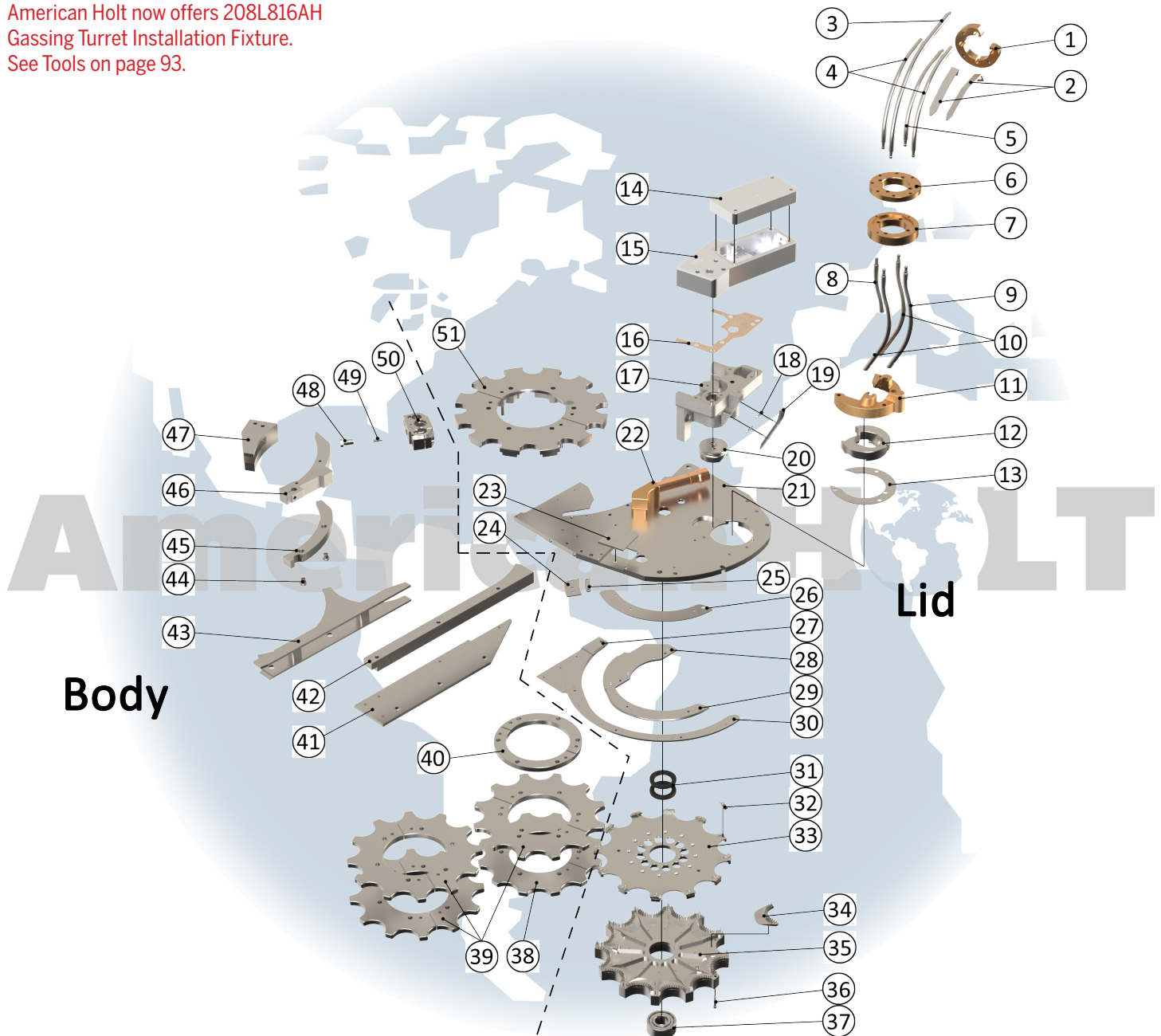
* - Item made-to-order ** Quick Change Enabled N/A - Item is not currently offered by American Holt

121L Seamer

AFTER MARKET PARTS FOR:

CHANGE PARTS - 206 LID x 300 CAN

American Holt now offers 208L816AH
Gassing Turret Installation Fixture.
See Tools on page 93.



NOTICE: All parts offered by American Holt are manufactured by or for American Holt and not by or for the Original Equipment Manufacturer. Part numbers shown that are those of the Original Equipment Manufacturer, if any, are used for reference purposes only. American Holt is an independent supplier of quality replacement parts having no affiliation with any Original Equipment Manufacturer. All prices are subject to change without notice. Copyright ©2022 American Holt Corp. All rights reserved.

CHANGE PARTS - 206 LID x 300 CAN

ITEM NO.	PART NO.	DESCRIPTION	QTY
1	*116L685AH	Cap Magazine Rod Retaining Ring - 206 Diameter	1
2	36L656AH	Cover Guide Strap Set - L.H. + R.H.	1
3	144L856AH	Cover Feed Chute Rear Rod - 202MS	1
4	143L856B.AH	Cover Feed Chute Side Rod	2
5	142L856AH	Cover Feed Chute Front Rod - 202MS	1
6	*148L885AH	Upper Cap Rod Connecting Ring - 206 Diameter (INCLUDES HARDWARE)	1
7	*149L885AH	Lower Cap Rod Connecting Ring - 206 Diameter (INCLUDES HARDWARE)	1
8	138L856AH	Cap Magazine Rear Rod - 32 Degree	1
9	*149L856AH	Cap Magazine Front Rod - 204 - 28 Degree	1
10	*148L856AH	Cap Magazine Side Rod - 28 Degree	2
11	*557L885AH	Cap Magazine - 28 Degree - 206 Diameter (INCLUDES HARDWARE)	1
12	558L885AH	Cap Magazine Insert - 206 Diameter - 28 Degree	1
13	95L853AH	Cap Feed Plate Shim	1
14	216L854AH	Solenoid Case Cover - 207.5-209 (INCLUDES HARDWARE)	1
15	*183L885AH	NC NC Solenoid Case - 204 to 206 (INCLUDES HARDWARE)	1
16	56L815AH	Separator Gasket	1
17	*182L885AH	Separator Bracket - 204 to 206 - 28 Degree (INCLUDES HARDWARE)	1
18	227L816-5AH	Shim .005" Thick	4
	227L816-10AH	Shim .010" Thick	4
	227L816-30AH	Shim .030" Thick	6
19	150L856AH	Cap Magazine Guide (INCLUDES HARDWARE)	1
20	*100L856AH	Separator Knife Disc - 206 Diameter	1
21	599L843AH	Cap Feed Plate (INCLUDES HARDWARE)	1
21.1	61L816AH	Oilite Bushing	1
22	1L832AH	Gassing Pipe	1
23	59L854AH	Marker Opening Cover (INCLUDES HARDWARE)	1
24	*222L873AH	Outer Cap Guide Rail Filler - 206 Diameter	1

ITEM NO.	PART NO.	DESCRIPTION	QTY
25	1L856AH	Cap Feed Plate End Deflector (INCLUDES HARDWARE)	1
26	50L873AH	Inner Cap Guide Filler - 200-202 Diameter	1
27	*984L873AH	Outer Cap Guide Rail - 206 Diameter	1
28	*969L873AH	Inner Cap Guide Rail - 206 Diameter	1
29	*983L873AH	Inner Cap Guide - 206 Diameter	1
30	*663L873AH	Outer Cap Guide - 206 Diameter	1
31	8L815AH	Oil Seal	2
32	48L259AH	Cap Pusher - 206 Diameter	12
33	*235L270AH	Feed Turret Plate - 206/300 B=STD	1
34	*102L870-206AH	Feed Turret Insert - 206/300 Diameter TB=STD PB=STD	12
35	231L270AH	Feed Turret - 206/300 TB=-15 PB=-15	1
36	74L826AH	Nylok Cap Pusher Screw	12
37	59P916AH	Ball Bearing	1
38	38L208AH	Lower Seaming Turret - 300 Diameter B+15	1
39	37L208AH	Seaming and Discharge Turret - 300 Diameter B+15	3
40	179L853AH	Separator Drive Gear Spacer - 202, 204, 211 & 300	1
41	183L884AH	Inlet Rail Support Plate - 300-303	1
42	159L884AH	Can Feed Inlet Rail - 300 X 407	1
43	20L883AH	Can Feed & Discharge Rail - 300 X 315 (INCLUDES HARDWARE)	1
44	129L853AH	Flanged Bushing (INCLUDES HARDWARE)	2
45	223L845AH	Bottom Discharge Upper Rail - 300 X 304/800	1
46	60L845AH	Top Discharge Upper Rail - 202MS (INCLUDES HARDWARE)	1
47	225L845AH	Outer Discharge Rail - 300 X 408+ (INCLUDES HARDWARE)	1
48	23L826AH	Seaming Lever Lock Setscrew	12
49	24L826AH	Seaming Lever Cone Setscrew	12
50	*75L242AH	Seaming Lever Block - 206 Diameter	12
51	*37L242AH	Seaming Chuck Bell - 206 Diameter (INCLUDES HARDWARE)	1

* - Item made-to-order N/A - Item is not currently offered by American Holt

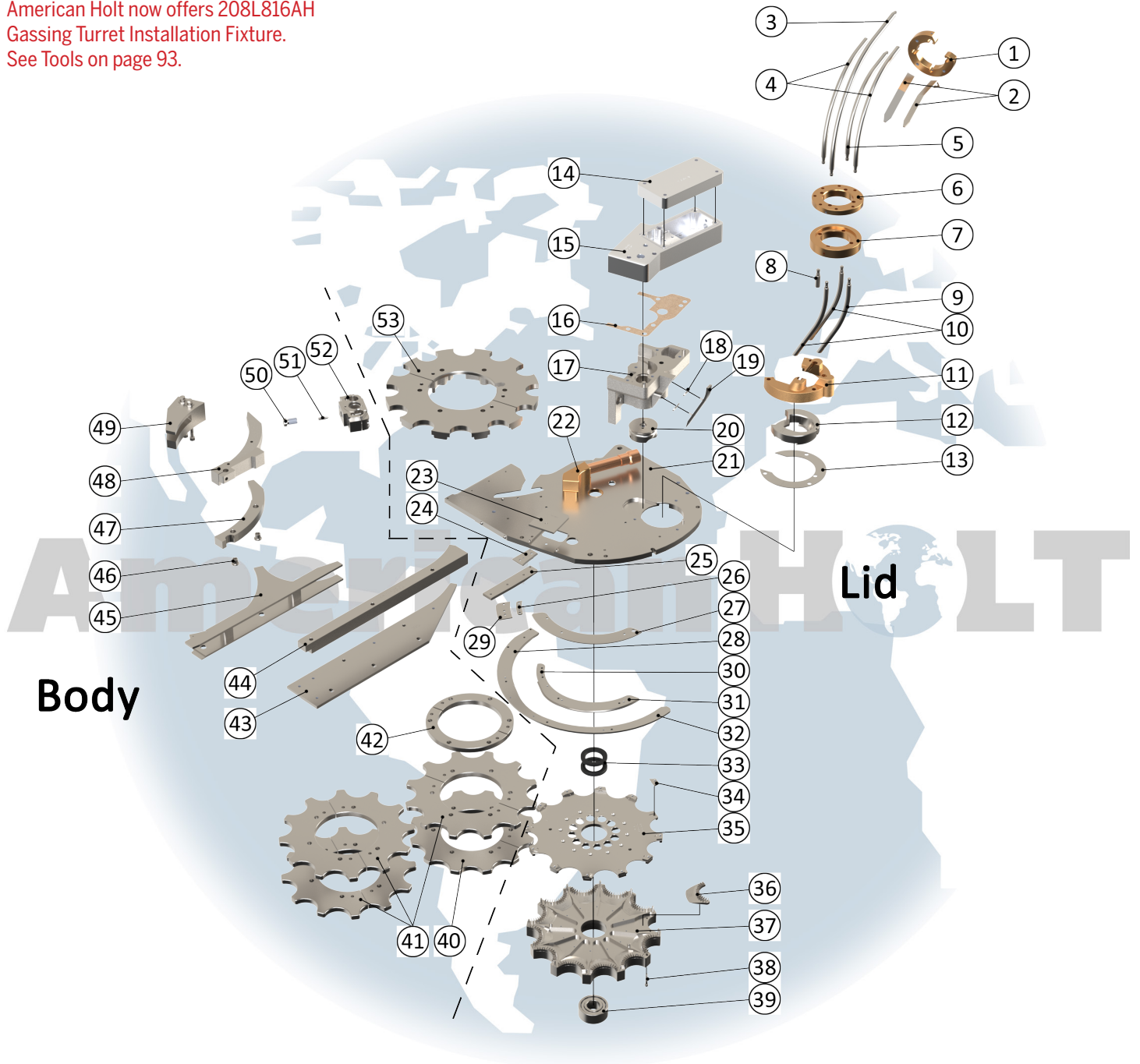
FOR MORE INFORMATION, CONTACT AMERICAN HOLT AT:
781-440-9993 • sales@americanholt.com • www.americanholt.com

121L Seamer

AFTER MARKET PARTS FOR:

CHANGE PARTS - 209 LID x 300 CAN

American Holt now offers 208L816AH
Gassing Turret Installation Fixture.
See Tools on page 93.



NOTICE: All parts offered by American Holt are manufactured by or for American Holt and not by or for the Original Equipment Manufacturer. Part numbers shown that are those of the Original Equipment Manufacturer, if any, are used for reference purposes only. American Holt is an independent supplier of quality replacement parts having no affiliation with any Original Equipment Manufacturer. All prices are subject to change without notice. Copyright ©2022 American Holt Corp. All rights reserved.

IN-STOCK AND READY TO SHIP.

CHANGE PARTS - 209 LID x 300 CAN

ITEM NO.	PART NO.	DESCRIPTION	QTY
1	22L685AH	Cap Magazine Rod Retaining Ring - 208MS	1
2	36L656AH	Cover Guide Strap Set - L.H. + R.H.	1
3	23H656AH	Cover Feed Chute Rear Rod - 15-28-32 Degrees	1
4	22H656AH	Cover Feed Chute Side Rod - 15-28-32 Degrees	2
5	21H656AH	Cover Feed Chute Front Rod - 15-28-32 Degress	1
6	174L885AH	Upper Cap Rod Connecting Ring - 208MS (INCLUDES HARDWARE)	1
7	175L885AH	Lower Cap Rod Connecting Ring (INCLUDES HARDWARE)	1
8	17H656AH	Cap Magazine Rear Rod - 15-28-32 Degrees	1
9	34L856AH	Cap Magazine Front Rod - 28 Degree	1
10	35L856AH	Cap Magazine Side Rod - 28 Degree	2
11	444L885AH	Cap Magazine - 209MS -30 - 28 Degree (INCLUDES HARDWARE)	1
12	445L885AH	Cap Magazine Insert - 209MS (-30)	1
13	95L853AH	Cap Feed Plate Shim	1
14	216L854AH	Solenoid Case Cover - 207.5-209 (INCLUDES HARDWARE)	1
15	141L885AH	NC NC Solenoid Case - 207.5-209 (INCLUDES HARDWARE)	1
16	56L815AH	Separator Gasket	1
17	153L885AH	Separator Bracket - 207.5-209 - 28 Degree (INCLUDES HARDWARE)	1
18	227L816-5AH	Shim .005" Thick	4
	227L816-10AH	Shim .010" Thick	4
	227L816-30AH	Shim .030" Thick	6
19	150L856AH	Cap Magazine Guide (INCLUDES HARDWARE)	1
20	217L856AH	Separator Knife Disc - 209 (INCLUDES HARDWARE)	1
21	243L843AH	Cap Feed Plate - 200-303 Diameter (INCLUDES HARDWARE)	1
21.1	61L816AH	Oilite Bushing	1
22	1L832AH	Gassing Pipe	1
23	59L854AH	Marker Opening Cover (INCLUDES HARDWARE)	1
24	115L874AH	Outer Cap Guide Rail Top Plate - 209MS (-30)	1
25	253L884AH	Can Feed Inlet Rail - 209MS (-30)	1

ITEM NO.	PART NO.	DESCRIPTION	QTY
26	1L856AH	Cap Feed Plate End Deflector (INCLUDES HARDWARE)	1
27	10L873AH	Inner Cap Guide Filler - 207.5-211 Diameter	1
28	818L873AH	Outer Cap Guide Rail - 209MS (-30)	1
29	819L873AH	Outer Filler Cap Guide Rail 24oz MIDI - 209MS (-30)	1
30	817L873AH	Inner Cap Guide Filler - 209MS (-30)	1
31	815L873AH	Inner Cap Guide - 209MS (-30)	1
32	816L873AH	Outer Cap Guide - 209MS (-30)	1
33	8L815AH	Oil Seal	2
34	98L259AH	Cap Pusher - 209MS (-30)	12
35	112L270AH	Feed Turret Plate - 209/300 Diameter B=STD	1
36	59L870AH	Feed Turret Insert - 211/300 TB=STD PB=STD	12
37	111L270AH	Lower Feed Gassing Turret- 209/300 X 406 to 800 (INCLUDES HARDWARE)	1
38	74L826AH	Nylok Cap Pusher Screw	12
39	59P916AH	Ball Bearing	1
40	38L208AH	Lower Seaming Turret - 300 Diameter B+15	1
41	37L208AH	Seaming and Discharge Turret - 300 Diameter B+15	3
42	179L853AH	Separator Drive Gear Spacer - 202, 204, 211 & 300	1
43	183L884AH	Inlet Rail Support Plate - 300-303	1
44	159L884AH	Can Feed Inlet Rail - 300 X 407	1
45	20L883AH	Can Feed & Discharge Rail - 300 X 315 (INCLUDES HARDWARE)	1
46	129L853AH	Flanged Bushing (INCLUDES HARDWARE)	2
47	223L845AH	Bottom Discharge Upper Rail - 300 X 304/800	1
48	60L845AH	Top Discharge Upper Rail - 202MS (INCLUDES HARDWARE)	1
49	225L845AH	Outer Discharge Rail - 300 X 408+ (INCLUDES HARDWARE)	1
50	23L826AH	Seaming Lever Lock Setscrew	12
51	24L826AH	Seaming Lever Cone Setscrew	12
52	*71L242AH	Seaming Lever - 209 Diameter	12
53	83L242AH	Seaming Chuck Bell - 209MS SB=STD LB=-30 (INCLUDES HARDWARE)	1

* - Item made-to-order N/A - Item is not currently offered by American Holt

FOR MORE INFORMATION, CONTACT AMERICAN HOLT AT:
781-440-9993 • sales@americanholt.com • www.americanholt.com

121L Seamer

AFTER MARKET PARTS FOR:

CHANGE PARTS - 211 LID

Shown are the components currently offered by American Holt



NOTICE: All parts offered by American Holt are manufactured by or for American Holt and not by or for the Original Equipment Manufacturer. Part numbers shown that are those of the Original Equipment Manufacturer, if any, are used for reference purposes only. American Holt is an independent supplier of quality replacement parts having no affiliation with any Original Equipment Manufacturer. All prices are subject to change without notice. Copyright ©2022 American Holt Corp. All rights reserved.

IN-STOCK AND READY TO SHIP.

CHANGE PARTS - 211 LID

ITEM NO.	PART NO.	DESCRIPTION	QTY
1	62L873AH+30AH	Outer Cap Guide Rail - 211 Diameter +30	1
2	197L873AH+30AH	Inner Cap Guide - 211 Diameter +30	1
3	61L873AH+30AH	Outer Cap Guide - 211 Diameter +30	1

* - Item made-to-order N/A - Item is not currently offered by American Holt

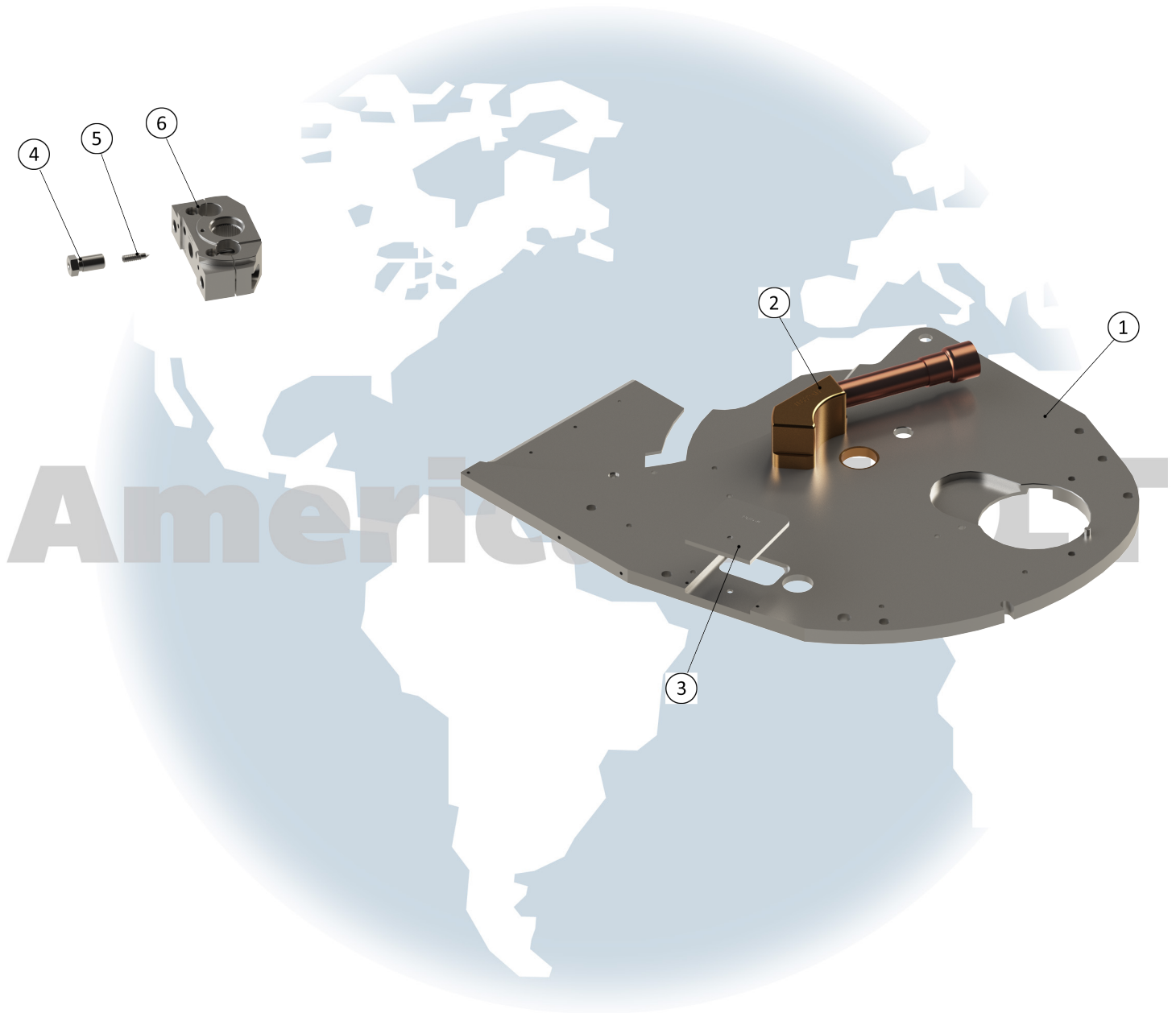
FOR MORE INFORMATION, CONTACT AMERICAN HOLT AT:
781-440-9993 • sales@americanholt.com • www.americanholt.com

121L Seamer

AFTER MARKET PARTS FOR:

CHANGE PARTS - 300 LID - FOOD

Shown are the components currently offered by American Holt



NOTICE: All parts offered by American Holt are manufactured by or for American Holt and not by or for the Original Equipment Manufacturer. Part numbers shown that are those of the Original Equipment Manufacturer, if any, are used for reference purposes only. American Holt is an independent supplier of quality replacement parts having no affiliation with any Original Equipment Manufacturer. All prices are subject to change without notice. Copyright ©2022 American Holt Corp. All rights reserved.

IN-STOCK AND READY TO SHIP.

CHANGE PARTS - 300 LID - FOOD

ITEM NO.	PART NO.	DESCRIPTION	QTY
1	41L843AH	Cap Feed Plate - Food (INCLUDES HARDWARE)	1
1.1	61L816AH	Oilite Bushing	1
2	1L832AH	Gassing Pipe	1
3	59L854AH	Marker Opening Cover (INCLUDES HARDWARE)	1
4	23L826AH	Seaming Lever Lock Setscrew	12
5	24L826AH	Seaming Lever Cone Setscrew	12
6	11L242AH	Seaming Lever Block - 300 Diameter - Food	12

* - Item made-to-order N/A - Item is not currently offered by American Holt

FOR MORE INFORMATION, CONTACT AMERICAN HOLT AT:
781-440-9993 • sales@americanholt.com • www.americanholt.com

121L Seamer

AFTER MARKET PARTS FOR:

DISCHARGE CONVEYOR RAIL



NOTICE: All parts offered by American Holt are manufactured by or for American Holt and not by or for the Original Equipment Manufacturer. Part numbers shown that are those of the Original Equipment Manufacturer, if any, are used for reference purposes only. American Holt is an independent supplier of quality replacement parts having no affiliation with any Original Equipment Manufacturer. All prices are subject to change without notice. Copyright ©2022 American Holt Corp. All rights reserved.

IN-STOCK AND READY TO SHIP.

DISCHARGE CONVEYOR RAIL

ITEM NO.	SIZE	PART NO.	DESCRIPTION	QTY
1	211 Standard	199L845AH	Discharge Conveyor Rail - Inner	1
	204 Sleek	314L845AH		
	202 Slim	193L845AH		
2	211 Standard	200L845AH	Upper Discharge Conveyor Rail - Outer	1
	204 Sleek	315L845AH		
	202 Slim	194L845AH		
3	211 Standard	201L845AH	Lower Discharge Conveyor Rails - Outer	1
	204 Sleek	316L845AH		
	202 Slim	195L845AH		

* - Item made-to-order N/A - Item is not currently offered by American Holt

FOR MORE INFORMATION, CONTACT AMERICAN HOLT AT:
781-440-9993 • sales@americanholt.com • www.americanholt.com

121L Seamer

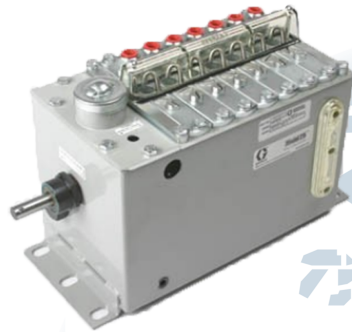
AFTER MARKET PARTS FOR:

ACCESSORIES

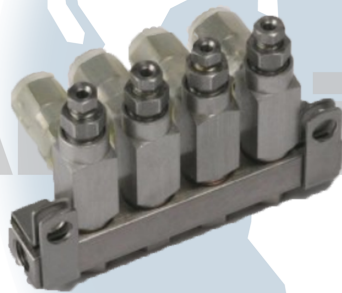
Angelus 120L/121L Seamer

Aftermarket Parts: Accessories

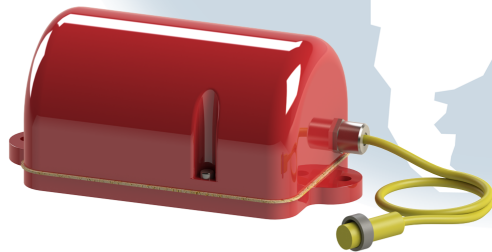
In-Stock and Ready-To-Ship



38L814AH: 7 Feed Lubricator



79L614AH: Ejector



60L633AH: Vibrator

sales@americanholt.com
www.americanholt.com

**Call American Holt at
781-440-9993 for details.**

American HOLT
engineered savings®

NOTICE: All parts offered by American Holt are manufactured by or for American Holt and not by or for the Original Equipment Manufacturer. Part Numbers shown

NOTICE: All parts offered by American Holt are manufactured by or for American Holt and not by or for the Original Equipment Manufacturer. Part numbers shown that are those of the Original Equipment Manufacturer, if any, are used for reference purposes only. American Holt is an independent supplier of quality replacement parts having no affiliation with any Original Equipment Manufacturer. All prices are subject to change without notice. Copyright ©2022 American Holt Corp. All rights reserved.

IN-STOCK AND READY TO SHIP.

AFTER MARKET PARTS FOR:

TOOLS



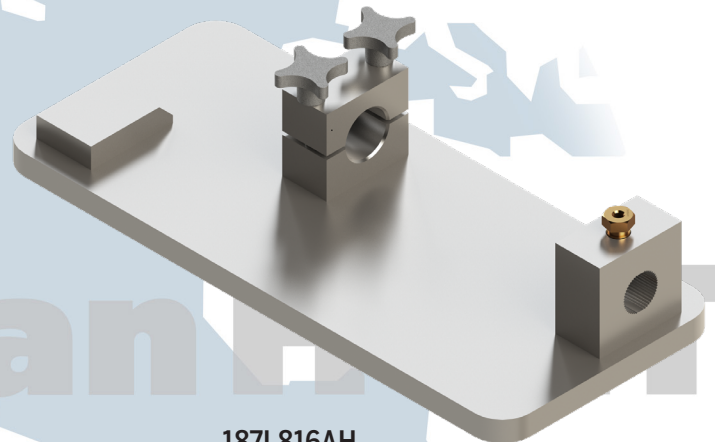
342L616AH
1.500 Diameter Reamer
(Turret Bushing Line Reamer)
Used with 97L844AH Seaming Lever
Shaft with an O.D. of 1.5



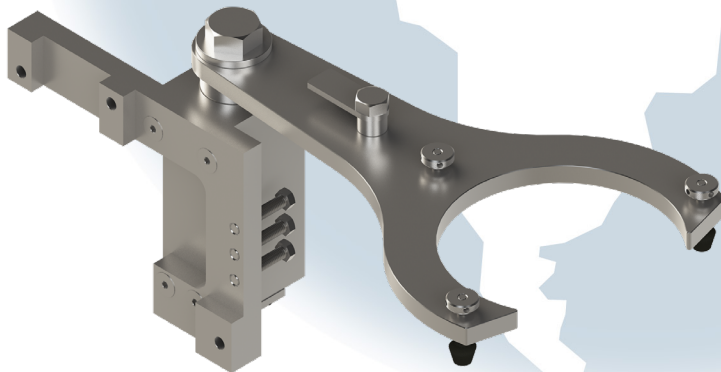
202L816AH
Spindle Fixture Turret Tool



50L827-ASSYTOOLAH
Assembly Tool



187L816AH
Seaming Lever Adjustment Fixture



208L816AH
Gassing Turret Installation Fixture



J07189AH
1.439 Diameter Line Reamer
(Discharge Star Wheel Bushing)

* - Item made-to-order N/A - Item is not currently offered by American Holt

FOR MORE INFORMATION, CONTACT AMERICAN HOLT AT:

781-440-9993 • sales@americanholt.com • www.americanholt.com

121L Seamer

AFTER MARKET PARTS FOR:

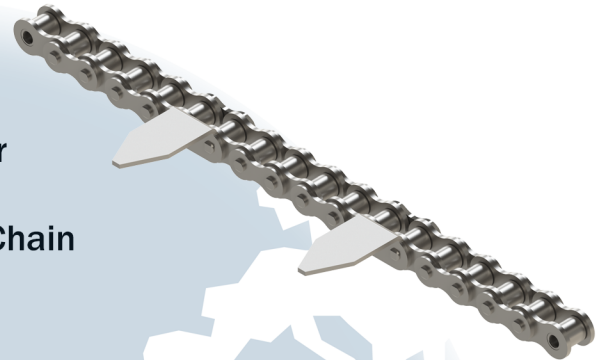
CHAINS & SPROCKETS

1L824AH
(36 Teeth)



4L824AH Finger

5L824AH #80 Chain



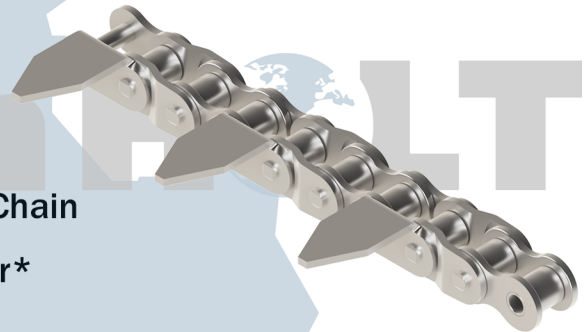
9L824AH
(27 Teeth)



7L824AH Finger

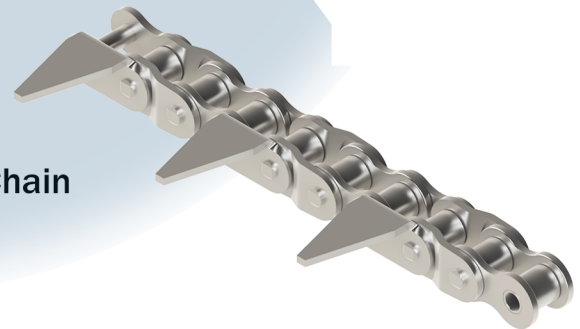
8L824AH #100 Chain

For Crown 72 Filler



42L824AH Finger

8L824AH #100 Chain



NOTICE: All parts offered by American Holt are manufactured by or for American Holt and not by or for the Original Equipment Manufacturer. Part numbers shown that are those of the Original Equipment Manufacturer, if any, are used for reference purposes only. American Holt is an independent supplier of quality replacement parts having no affiliation with any Original Equipment Manufacturer. All prices are subject to change without notice. Copyright ©2022 American Holt Corp. All rights reserved.

AFTER MARKET PARTS FOR:

LIFTERS, SPINDLES AND CAMS

Lifter Assemblies, Lower Chuck Plates and Cams



- Reduce inventory costs and machine downtime.
- In-stock with 24-hour shipping
- Assemblies built with ALL NEW PARTS.
- Assembled with genuine Timken bearings.
- Components also sold separately.

11L800AH	Lower Chuck Bottom
<i>One of the following: Lower Chuck Top Sections</i>	
12L800AH	w/7L840AH, Blue Spring
13L800AH	w/8L840AH, Red Spring
14L800AH	w/9L840AH, Gold Spring
15L800AH	w/10L840AH, Green Spring
<i>One of the following: Lower Chuck Plate</i>	
36L827AH	3.000" Dia
17L827AH	3.750" Dia
59L827AH	3.000" Dia
	W/83L815AH #024 O-Ring
	W/107L826AH allows adjustment of spring tension without pulling plate off
61L827AH	4.500" Dia
61L827AH-STELLITEAH	Solid Stellite
61L827AH-STLAH	Stellite Inlaid
69L827AH	Tapered Domed
23L820AH	Seaming Cam, 1st Operation
40L820AH	Lower Chuck Cam
44L820AH	Lower Chuck Cam
3L820-ASSYAH	Lower Chuck Return Cam, Discharge
41L820-ASSYAH	Lower Chuck Return Cam
45L820AH	Lower Chuck Return Cam
46L820AH	Lower Chuck Return Cam
81L820AH	Lower Chuck Return Cam
82L820AH	Lower Chuck Return Cam
83L820AH	Knockout Cam
80L815AH	Lower Turret Guard V-Ring

Spindle Assembly, Face Seal and Rotors



18L800AH	Seaming Spindle Sub-Assembly w/232L844AH
<i>One of the following: Face Seal and Rotor</i>	
9L800AH	w/49H617AH Retainer
8L800AH	w/111L817AH Retainer

NOTICE: All parts offered by American Holt are manufactured by or for American Holt and not by or for the Original Equipment Manufacturer. Part numbers shown that are those of the Original Equipment Manufacturer, if any, are used for reference purposes only. American Holt is an independent supplier of quality replacement parts having no affiliation with any Original Equipment Manufacturer. All prices are subject to change without notice. Copyright ©2022 American Holt Corp. All rights reserved.

